

NOTE: INSIDE PIN TEXT IS MOTOROLA PIN DESIGNATION
 OUTSIDE PIN IS NUMERIC PIN DESIGNATION FOR
 PC LAYOUT PURPOSES.

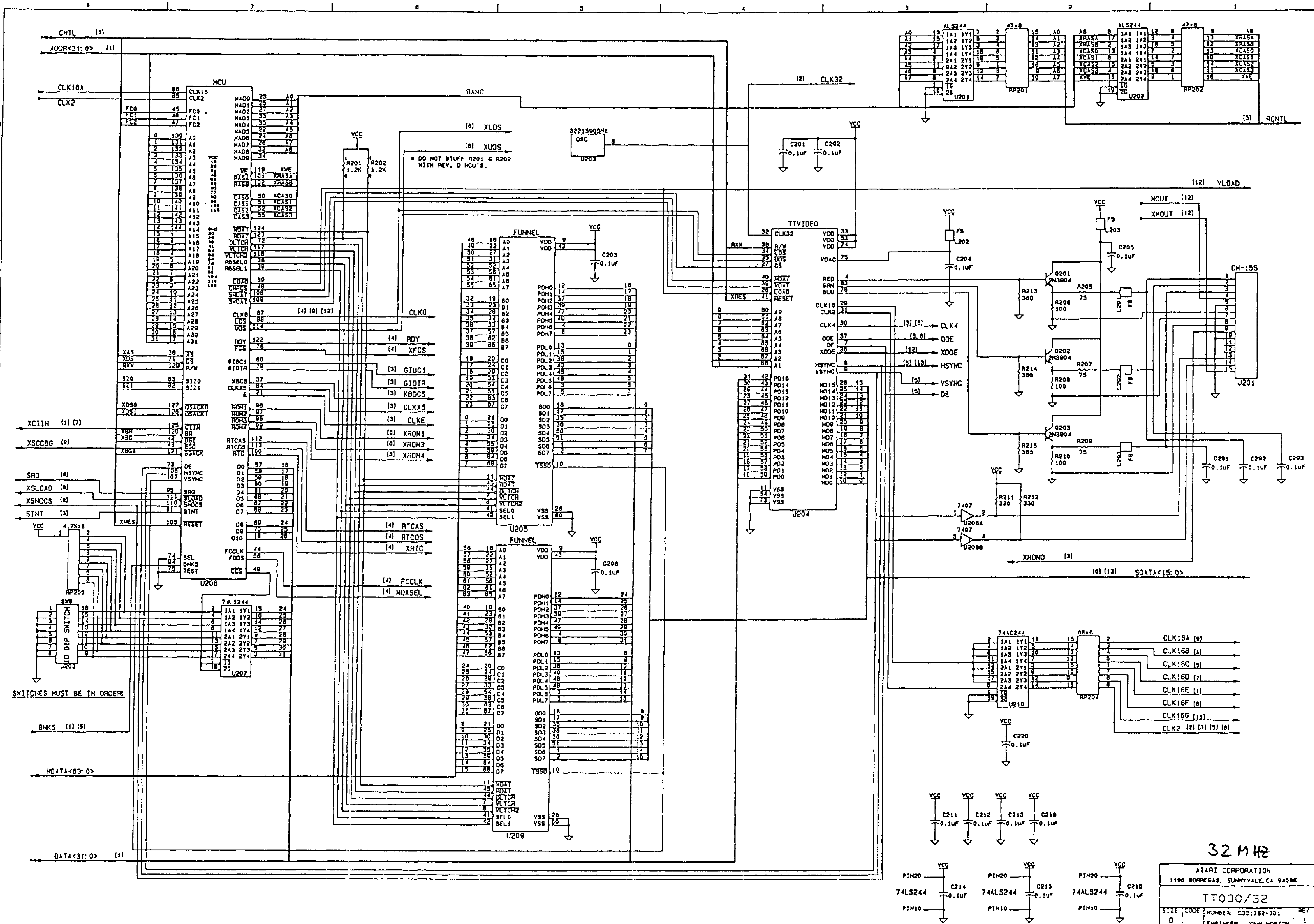
ASSY NO. CA400770--XXX

FAB NO. C301763-001

32 MHz

ATARI CORPORATION 1100 BORREGAS, SAN JOSE, CA 94086	
TT030/32	
SIZE	0
CLOCK	301762-001
NUMBER	0
ENGINEER	JOHN HORTON
DATE	MAY 07, 1989

Next Reference: C121 CR102 J104 R106 AP111 S101 U104



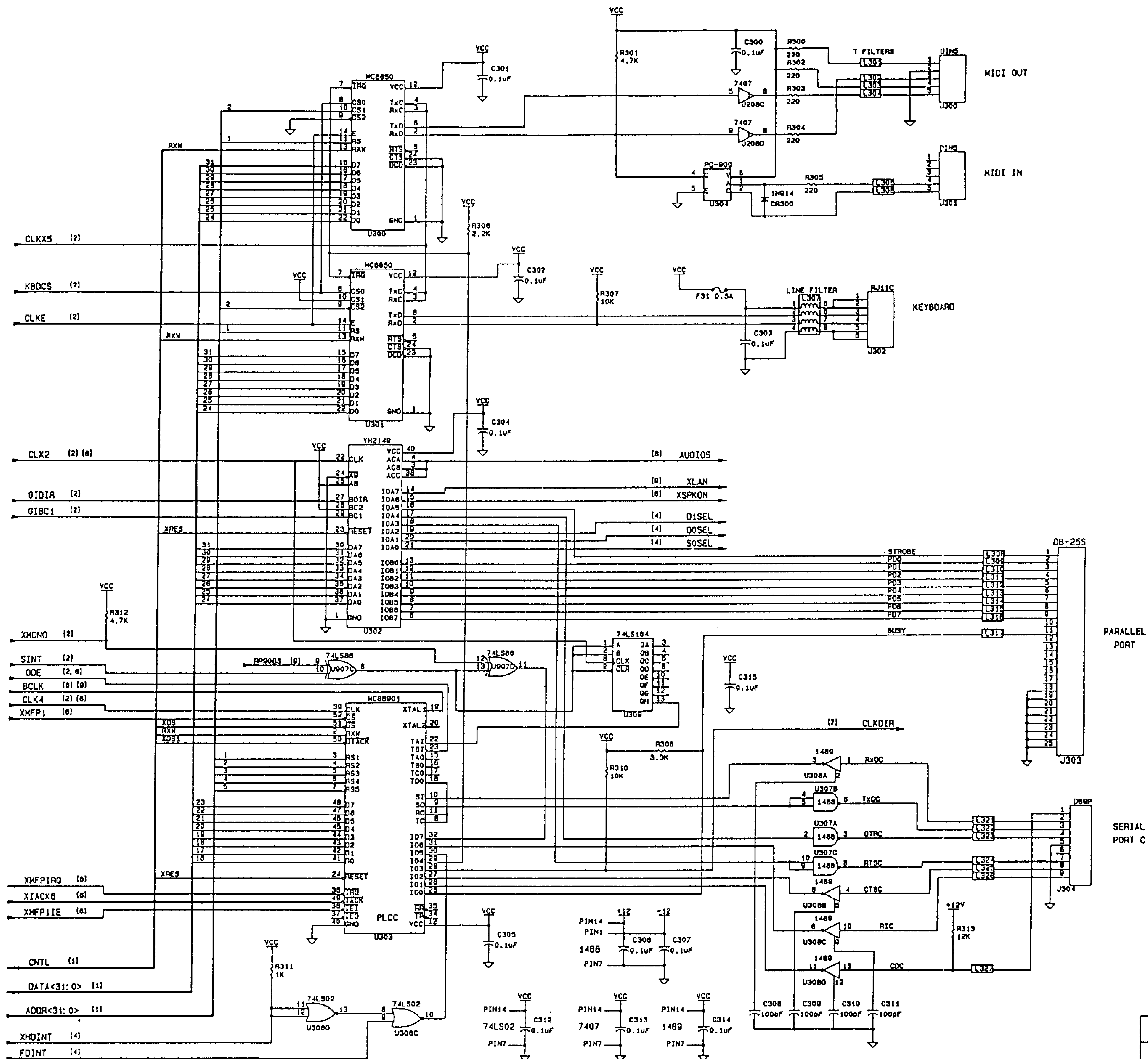
R201 AND R202 MUST BE REMOVED WITH NEW MCU (REV. D). MVM 19JAN80

32 MHz

ATARI CORPORATION
1100 BORGESAS, SUNNYVALE, CA 94086

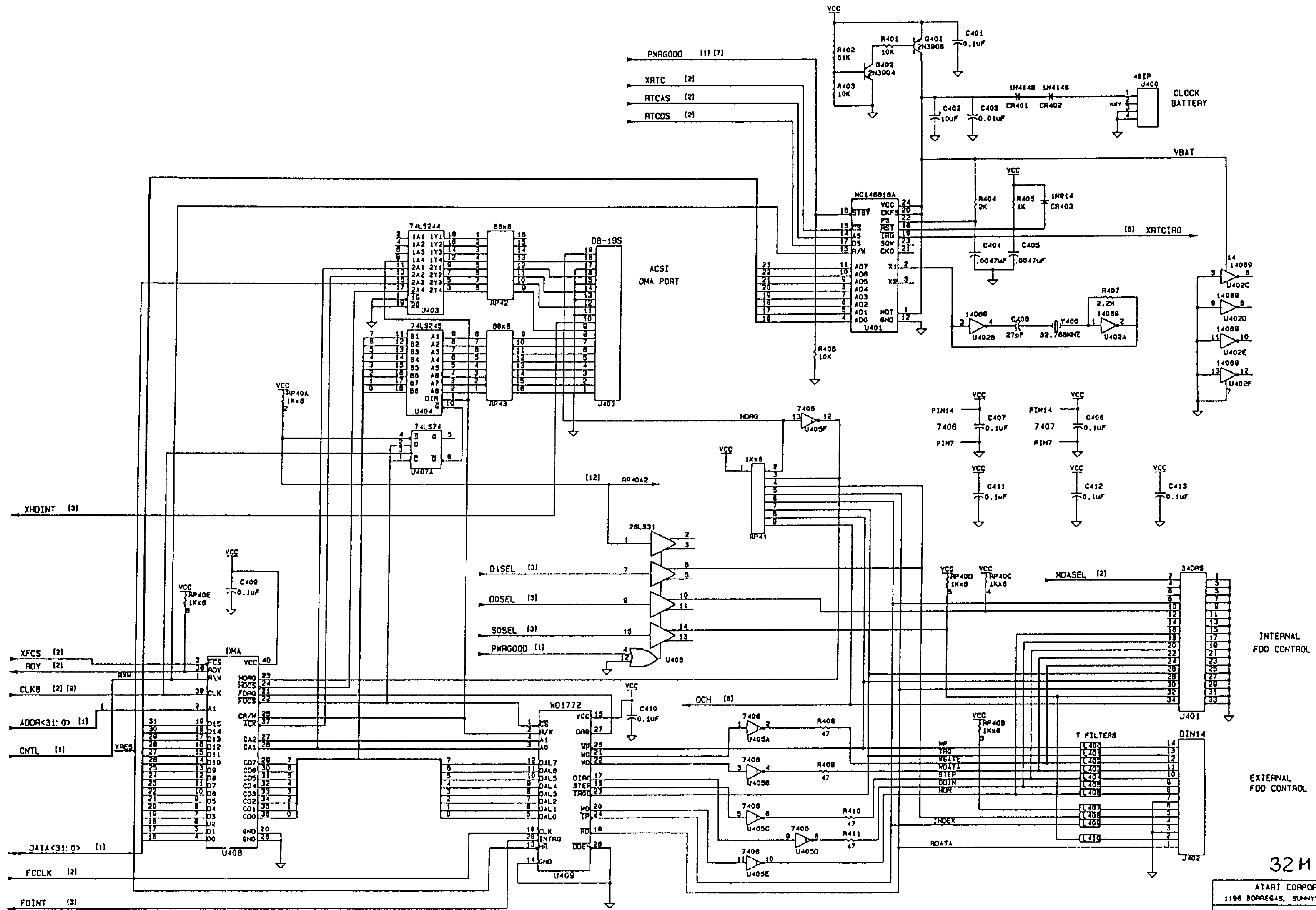
TT030/32

TYPE CODE NUMBER 001782-001 REV 1
ENGINEER JOHN MORTON
DATE MAY 07, 1983 SHEET 2 OF 2



32 M42

ATARI CORPORATION			
1198 BORREGAS, SUNNYVALE, CA 94088			
TT030/32			
SIZE	CODE	NUMBER	REV.
0		G301762-001	1
DATE		ENGINEER	SPECT
MAY 07 1990		JOHN HORTON	3 OF 12

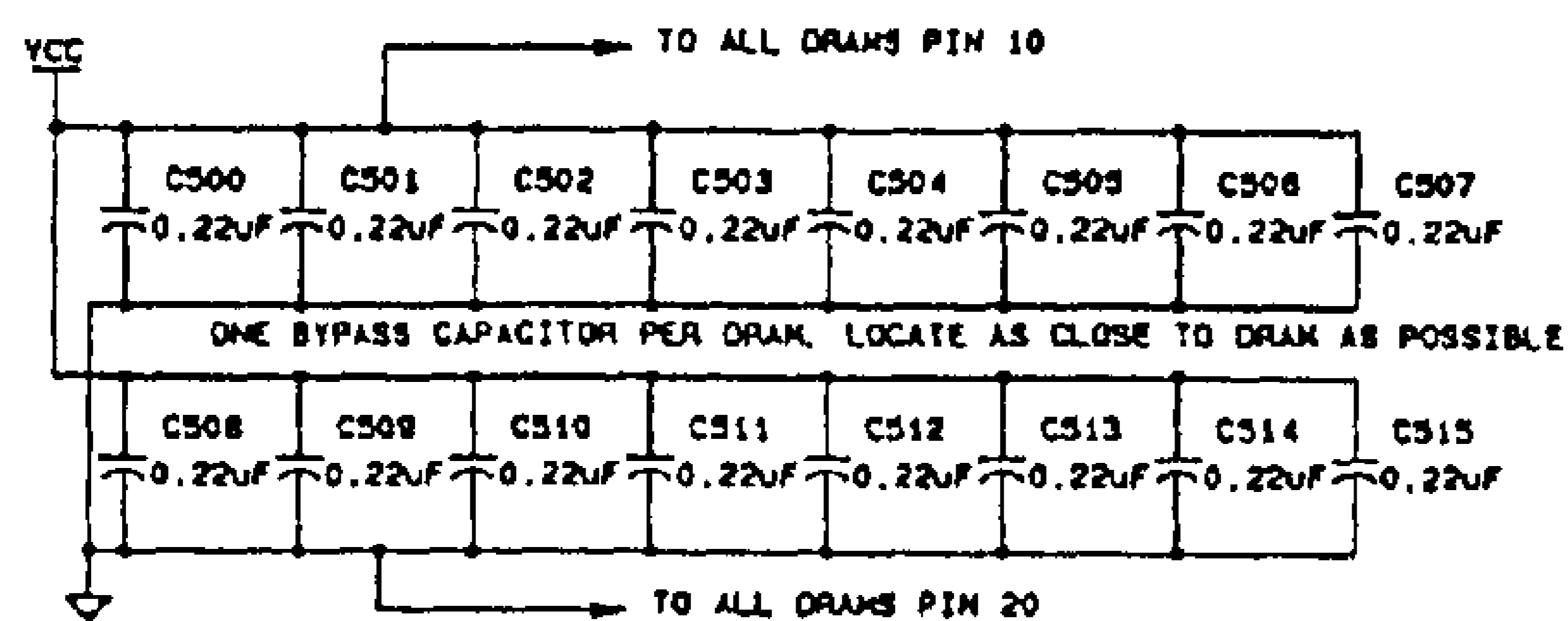
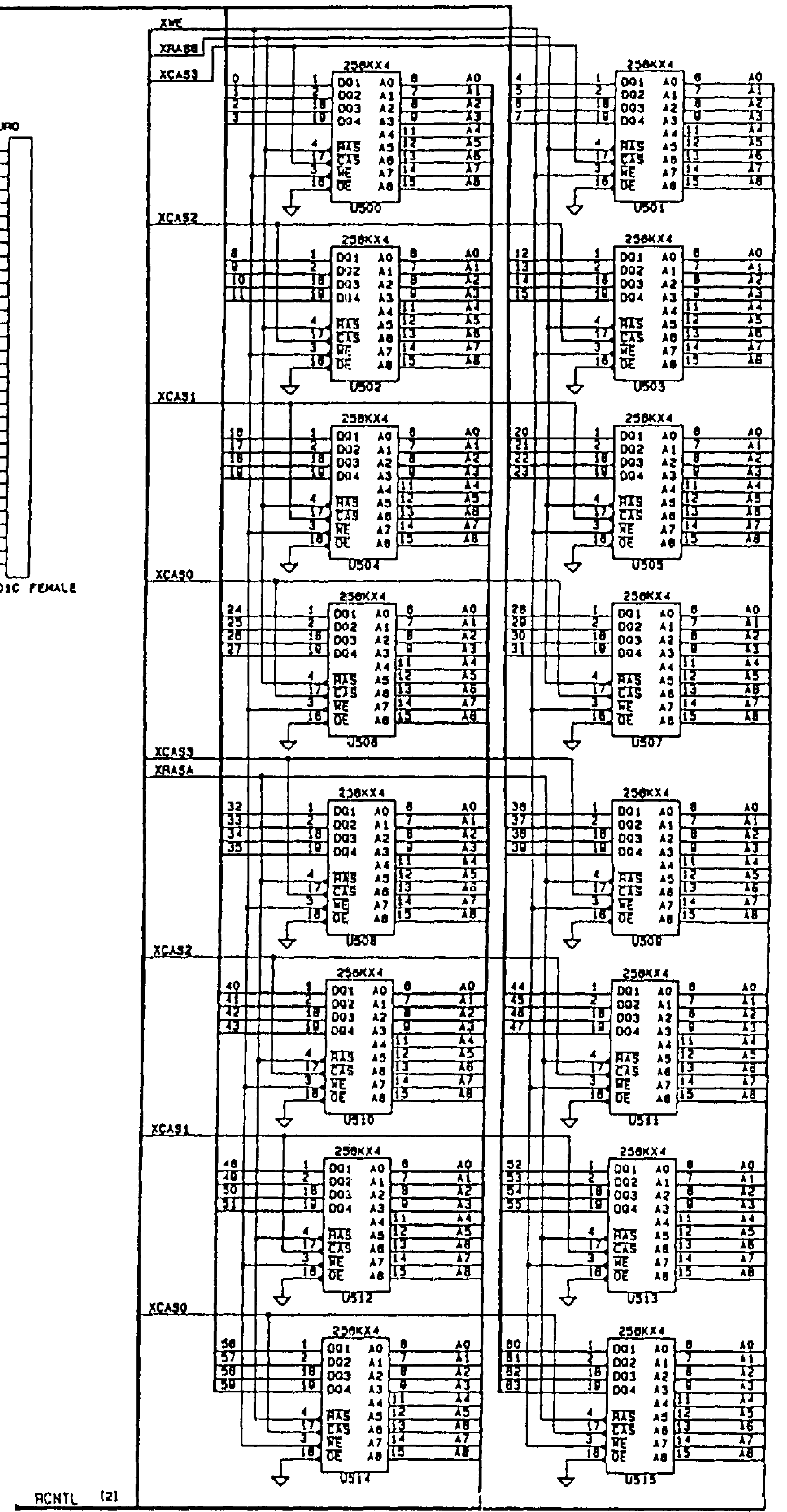
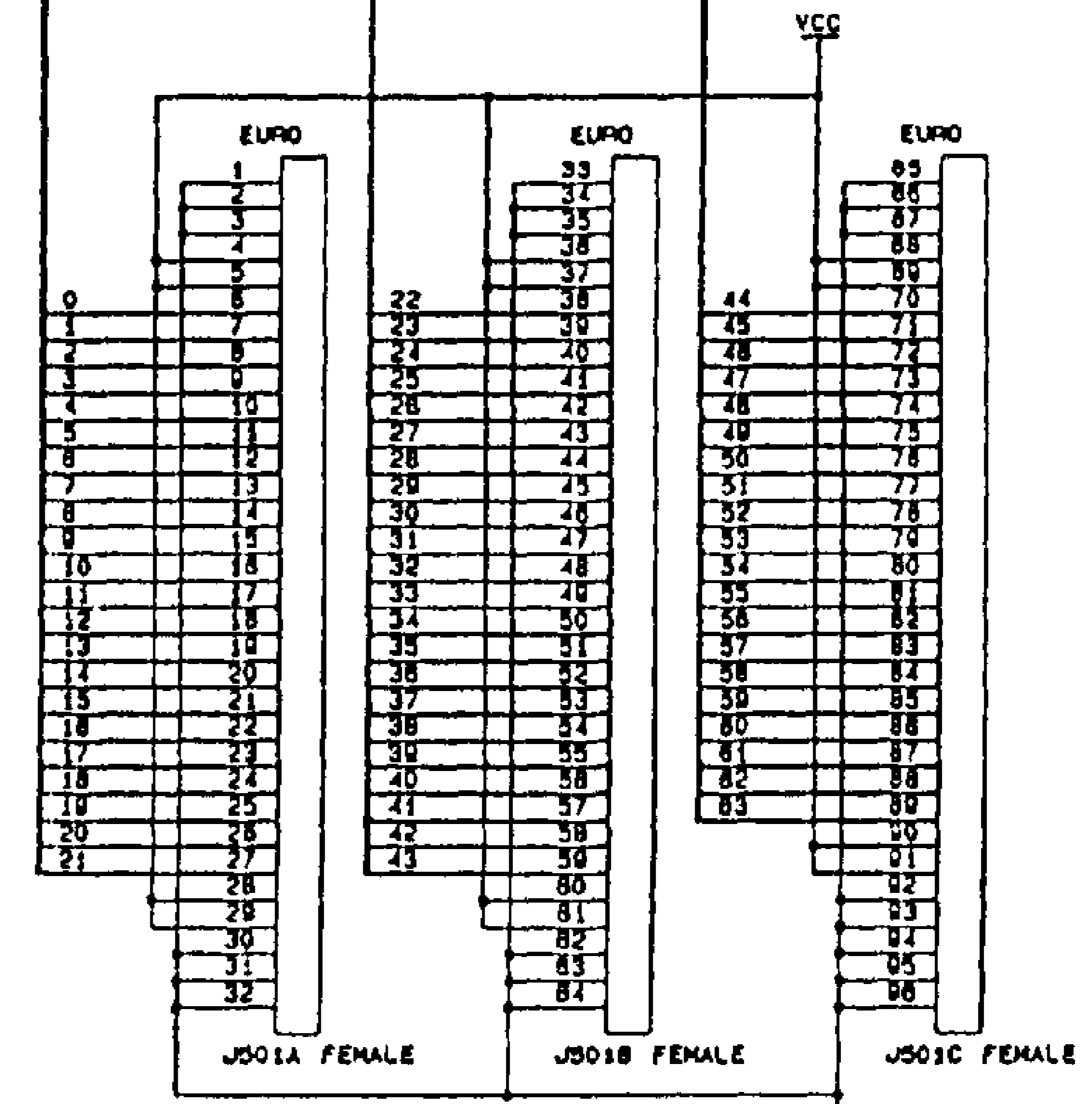
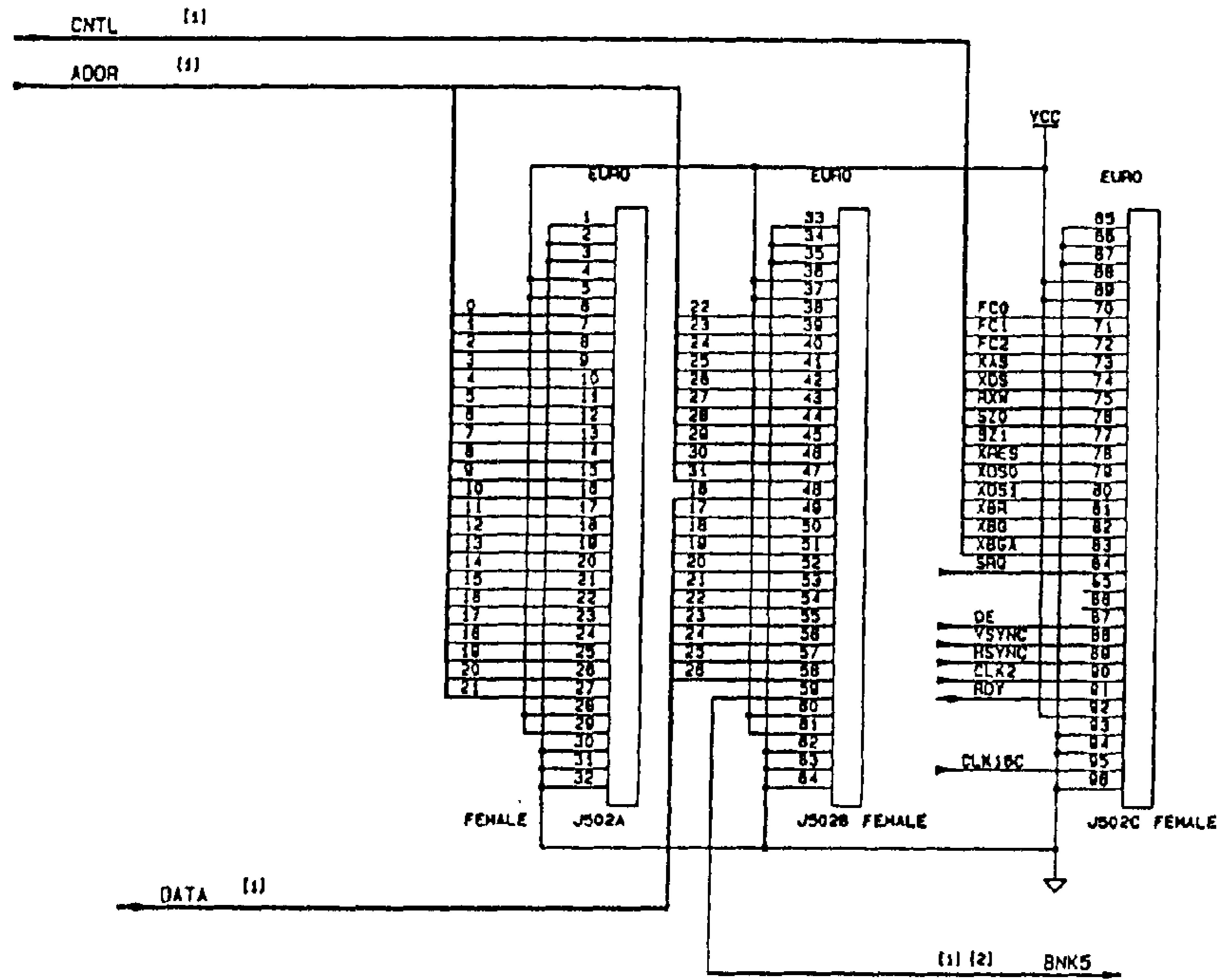


Next Reference: C411 CR404 J405 L412 R412 RP44 U410 W402 Y401

32MHz
 ATARI CORPORATION
 1196 BORREGAS, SAN JOSE, CA 94088
 TT030/32
 SIZE CODE NUMBER C301752-001 REV
 D ENGINEER JOHN -DRAZ 1
 DATE 04/27/82 PAGE 4 OF 12

MOATA<83; 0> (2)

TO ST
RAM EXPANSION



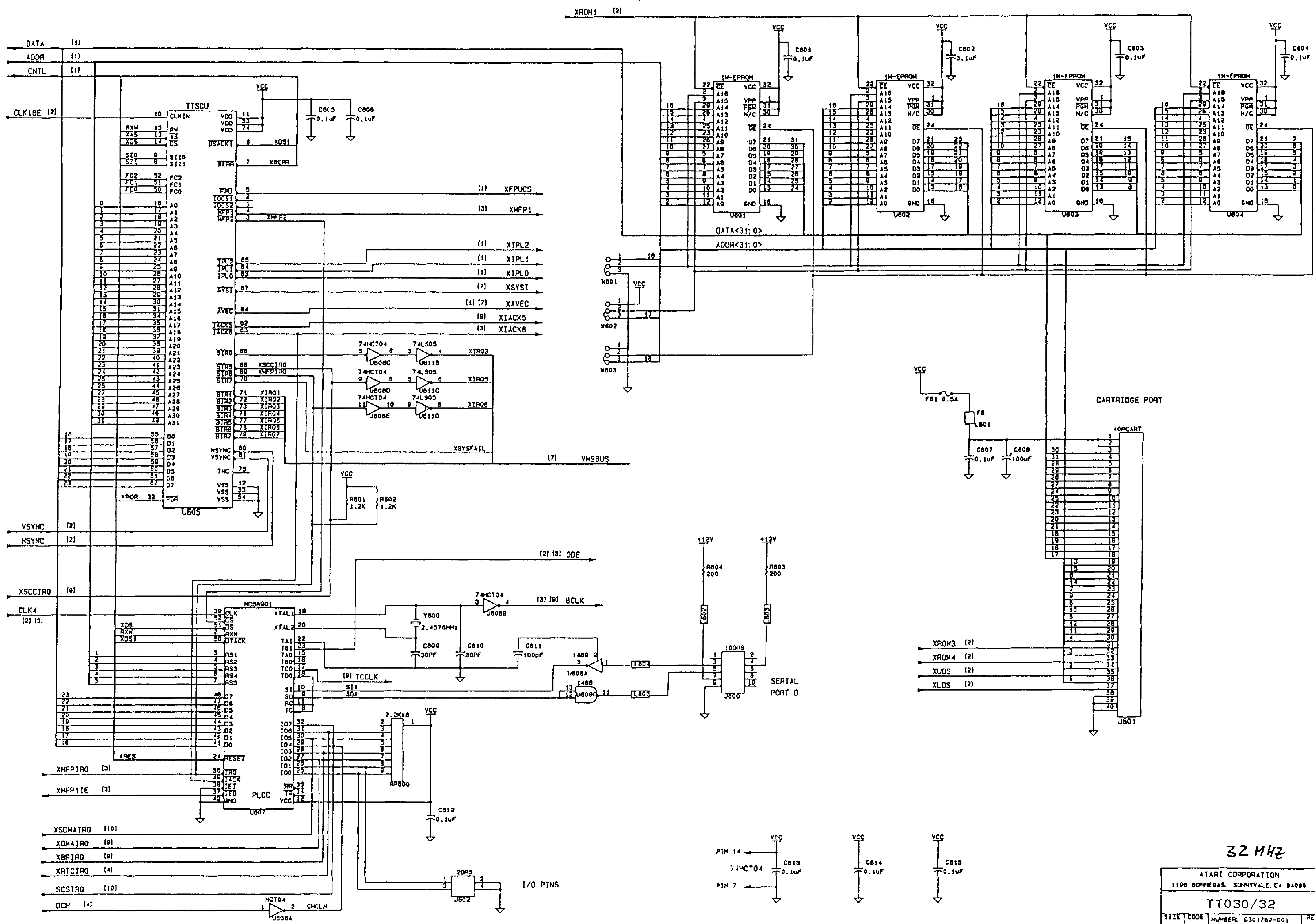
Next Reference: C518 J503 U518

32 MHz

ATARI CORPORATION
1198 BORREAS, SUNNYVALE, CA 94086

TT030/32

SIZE CODE NUMBER 0301 02-001 REV
0 ENGINEER JOHN W. ...



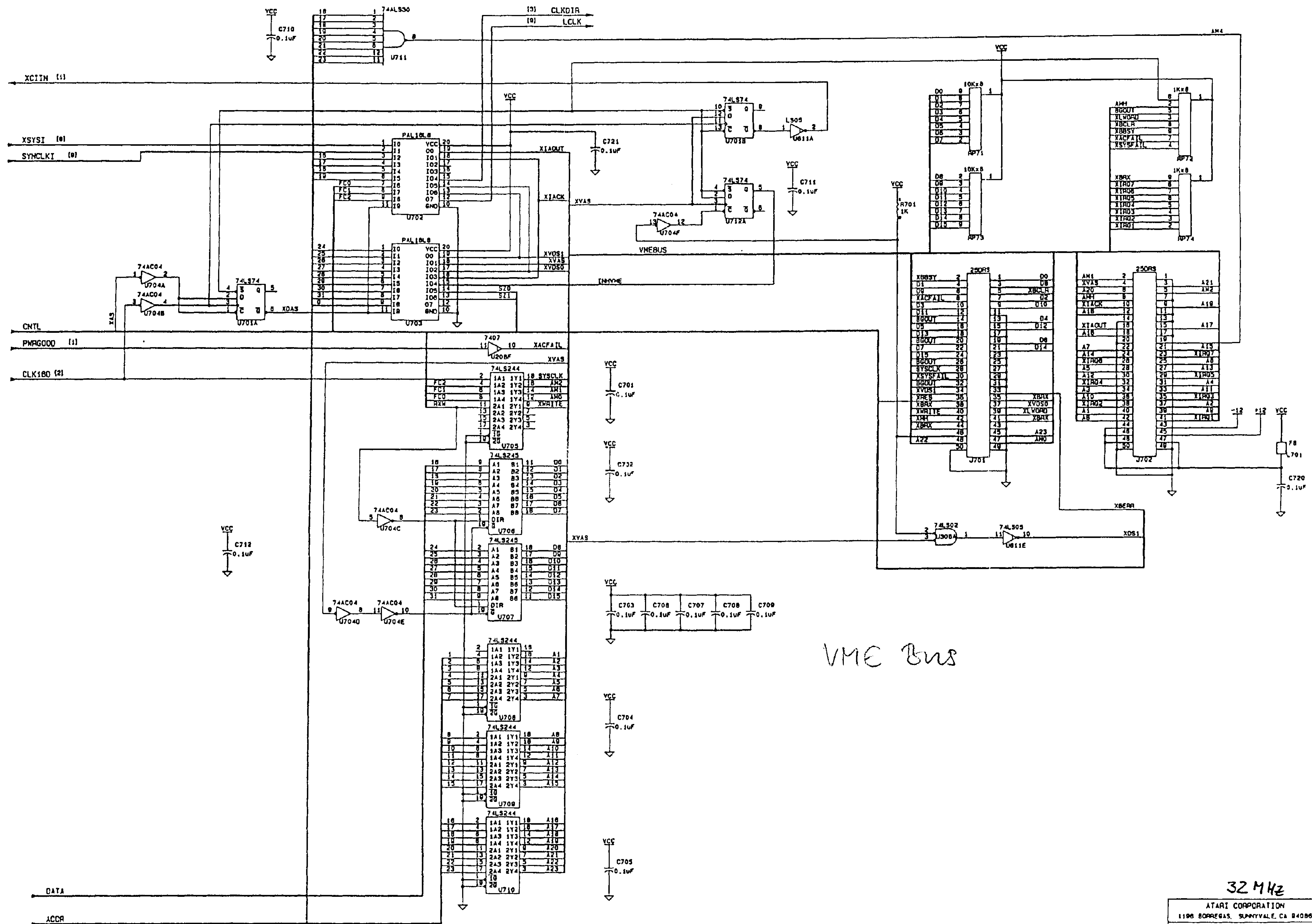
Next Reference: C818 J803 L802 R801 U812 W804 Y801 R805

32 MHz

ATARI CORPORATION
1198 BARRAGAN, SUNNYVALE, CA 94088

TT030/32

SIZE	CODE	NUMBER C301762-001	REV
D		ENGINEER JOHN HORTON	1
DATE MAY 07, 1992		SHEET 6 OF 12	

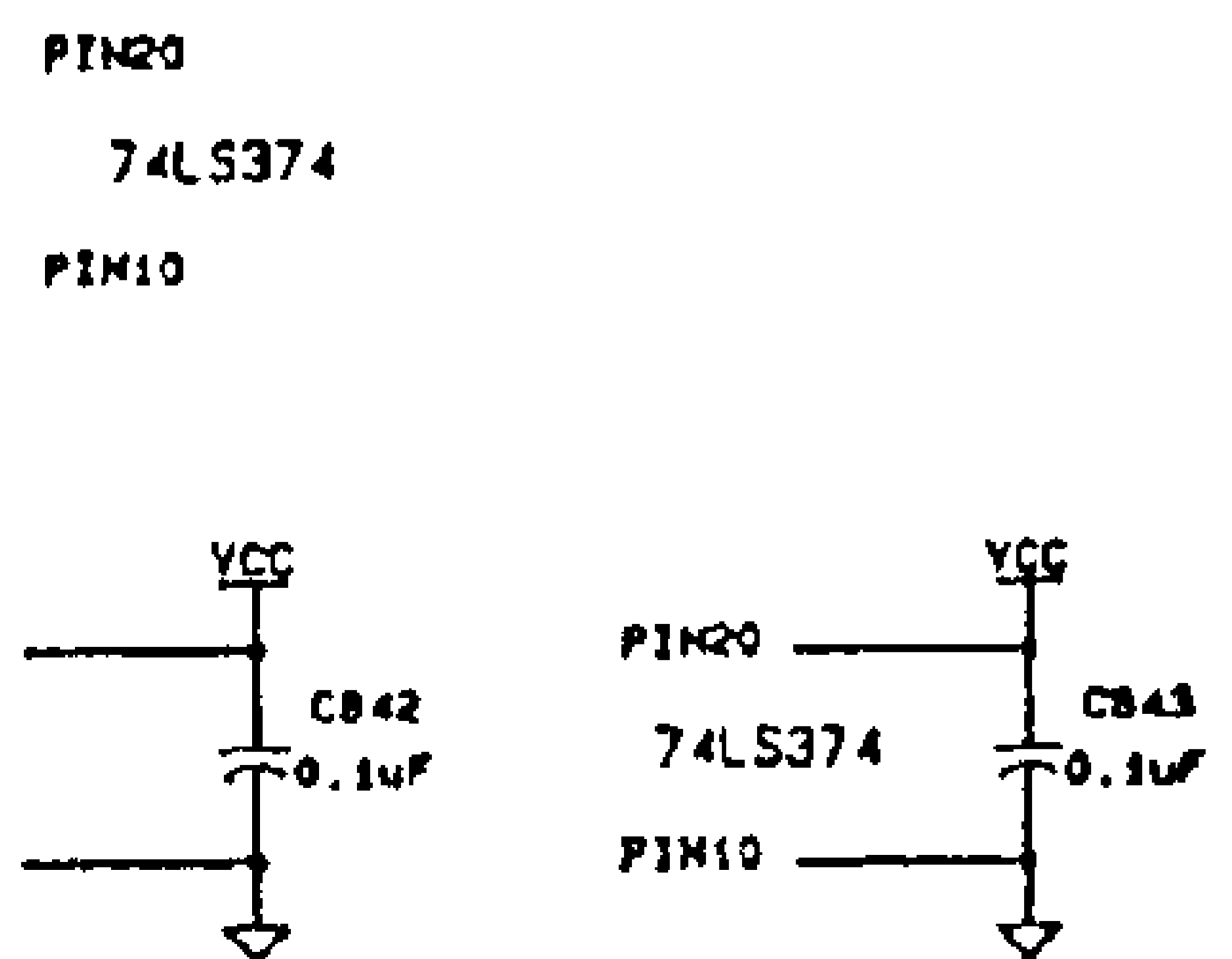
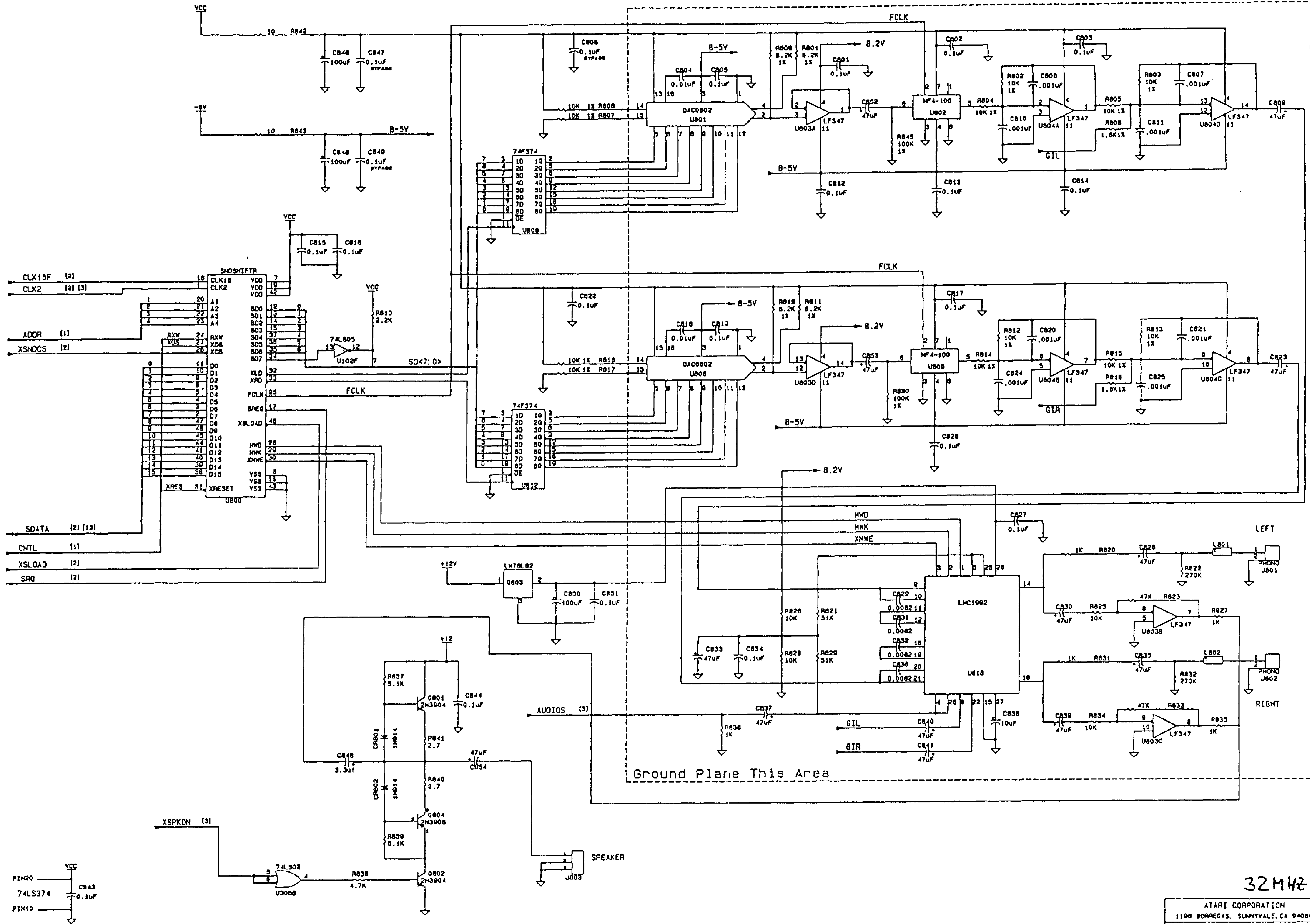


VME Bus

32 MHz

ATARI CORPORATION		
1100 BARRAGAN, SUNNYVALE, CA 94086		
TT030/32		
DATE	CODE	REV
0	NUMBER C301782-001	1
ENGINEER JOHN WORTON		
DATE MAY 07 1993		SHEET 7 OF 12

7/12



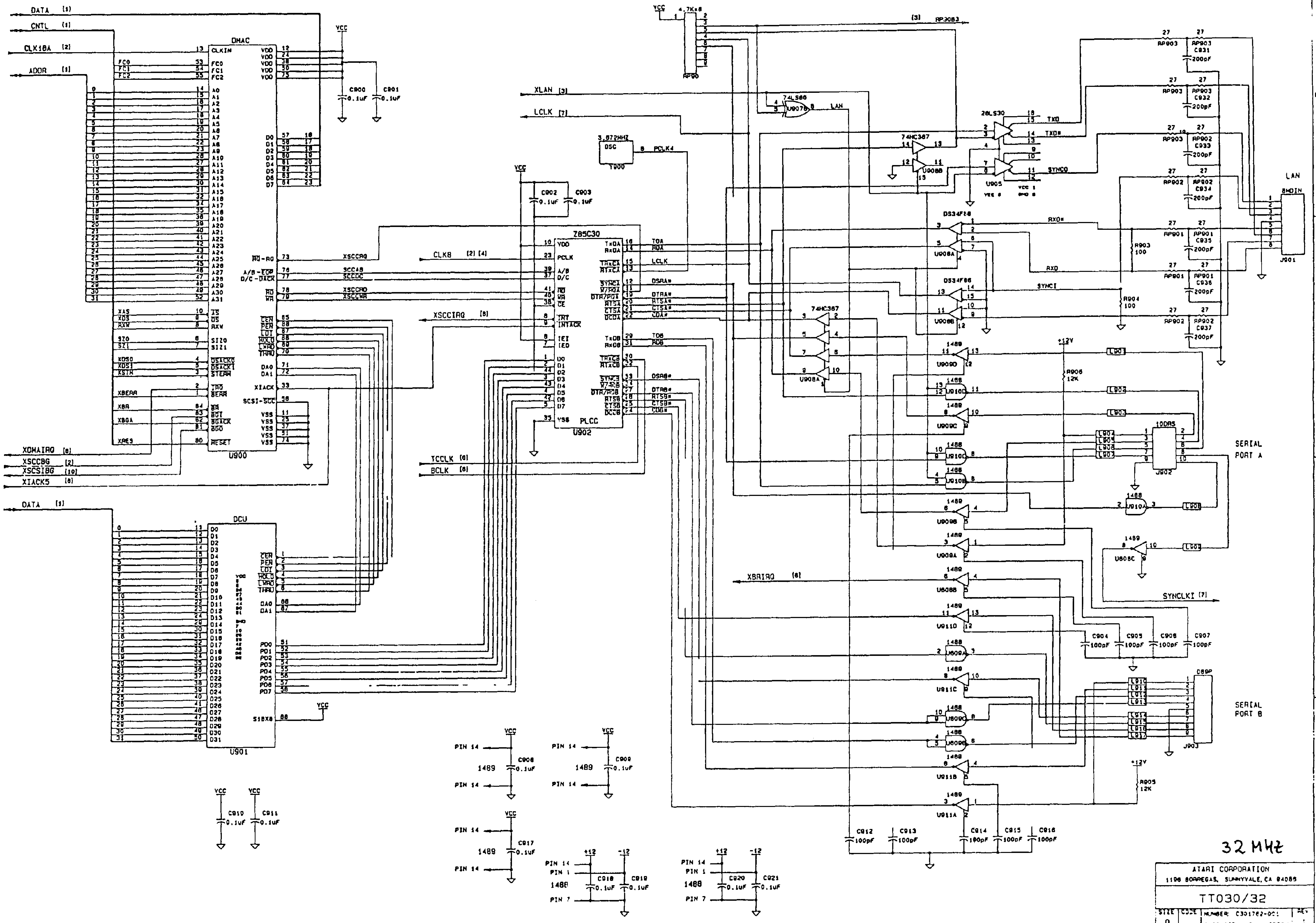
Next Reference: C846 R842 U817 J804 Q203

32MHz

ATARI CORPORATION
1100 BORREGAS, SUNNYVALE, CA 94086

TT030/32

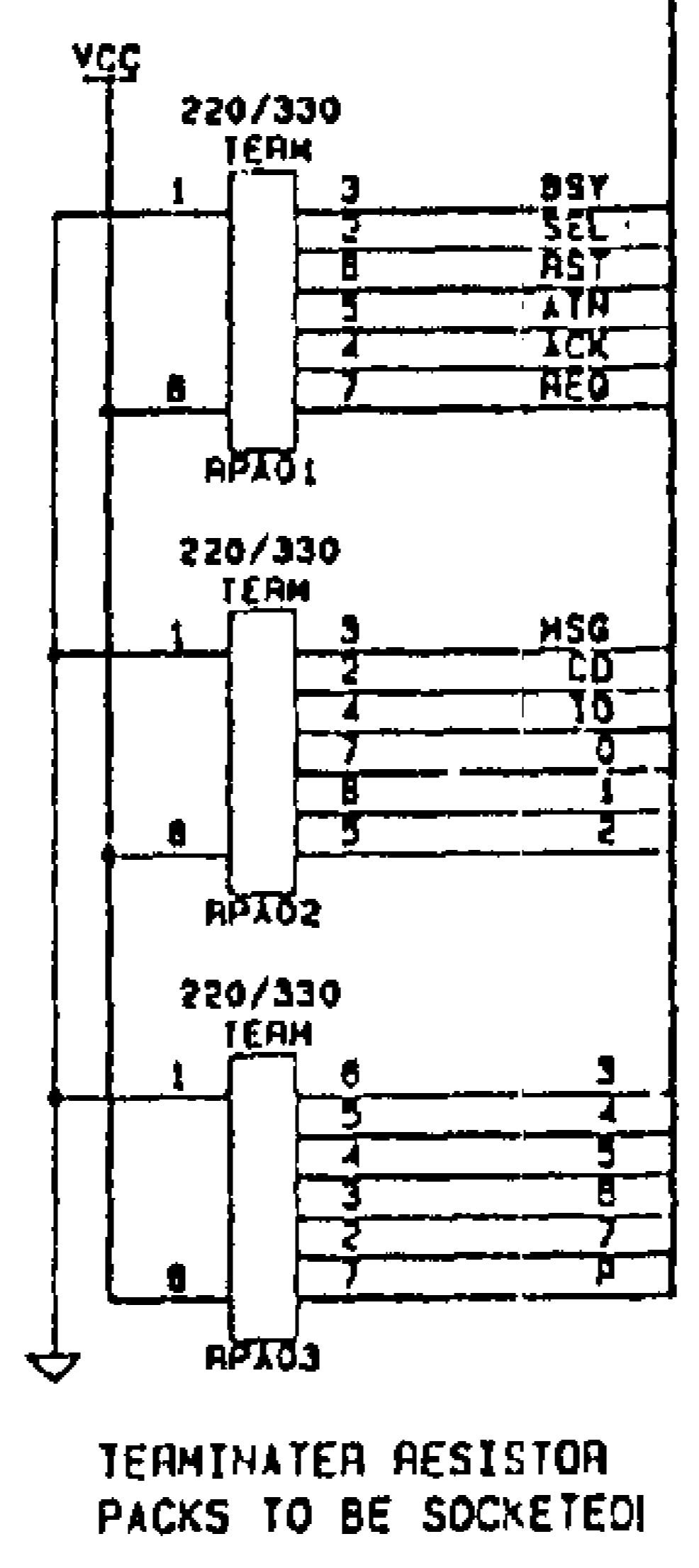
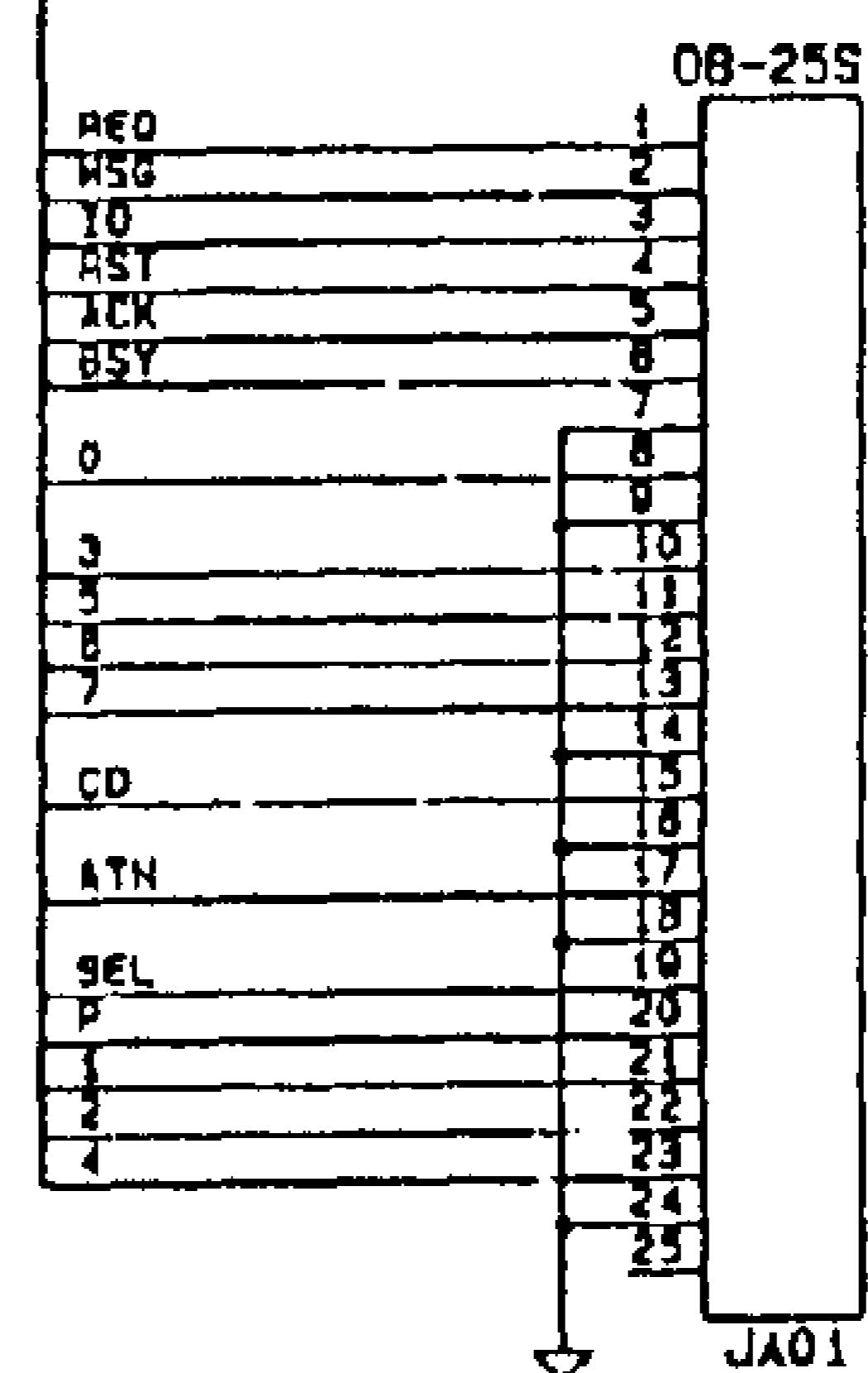
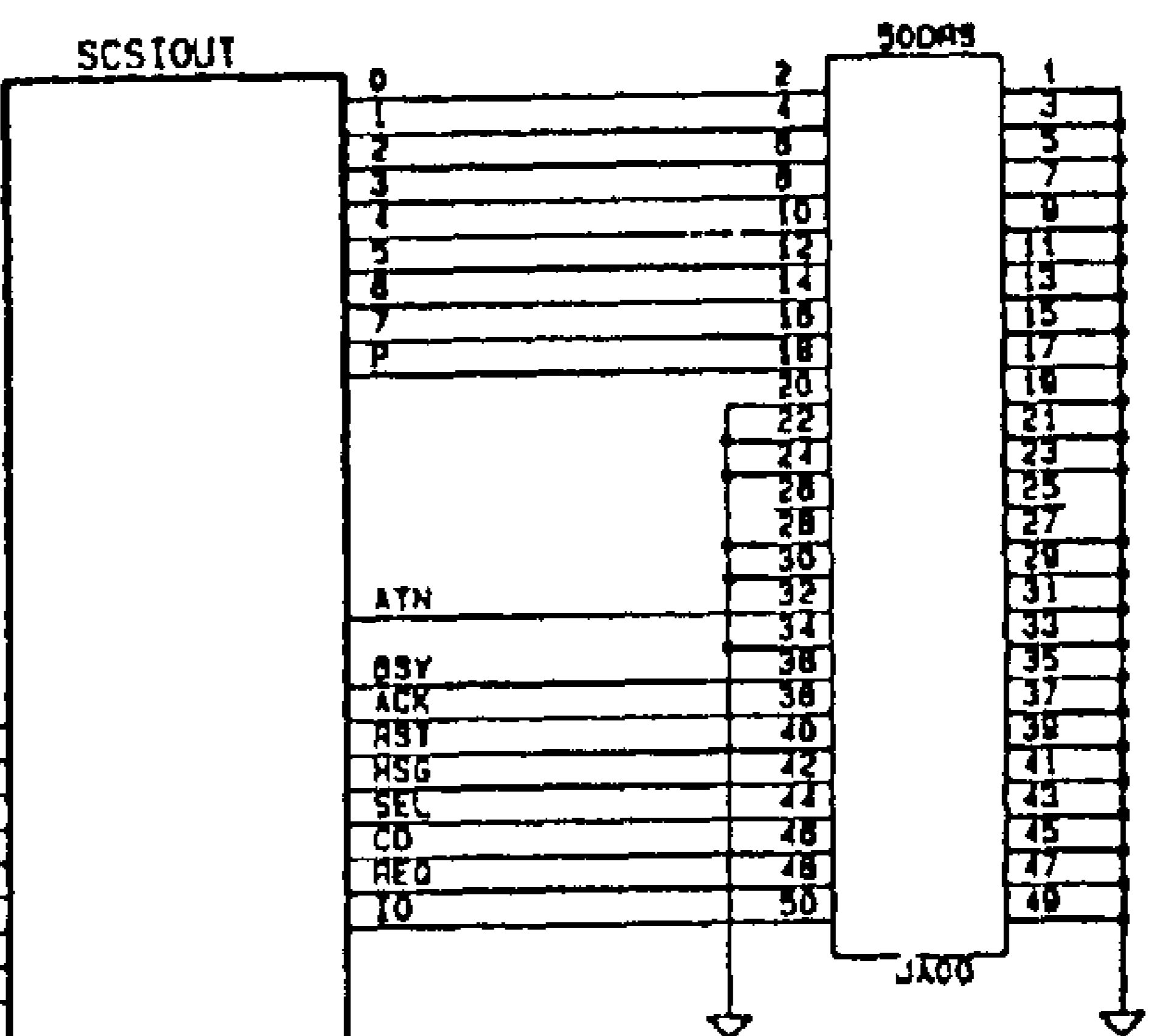
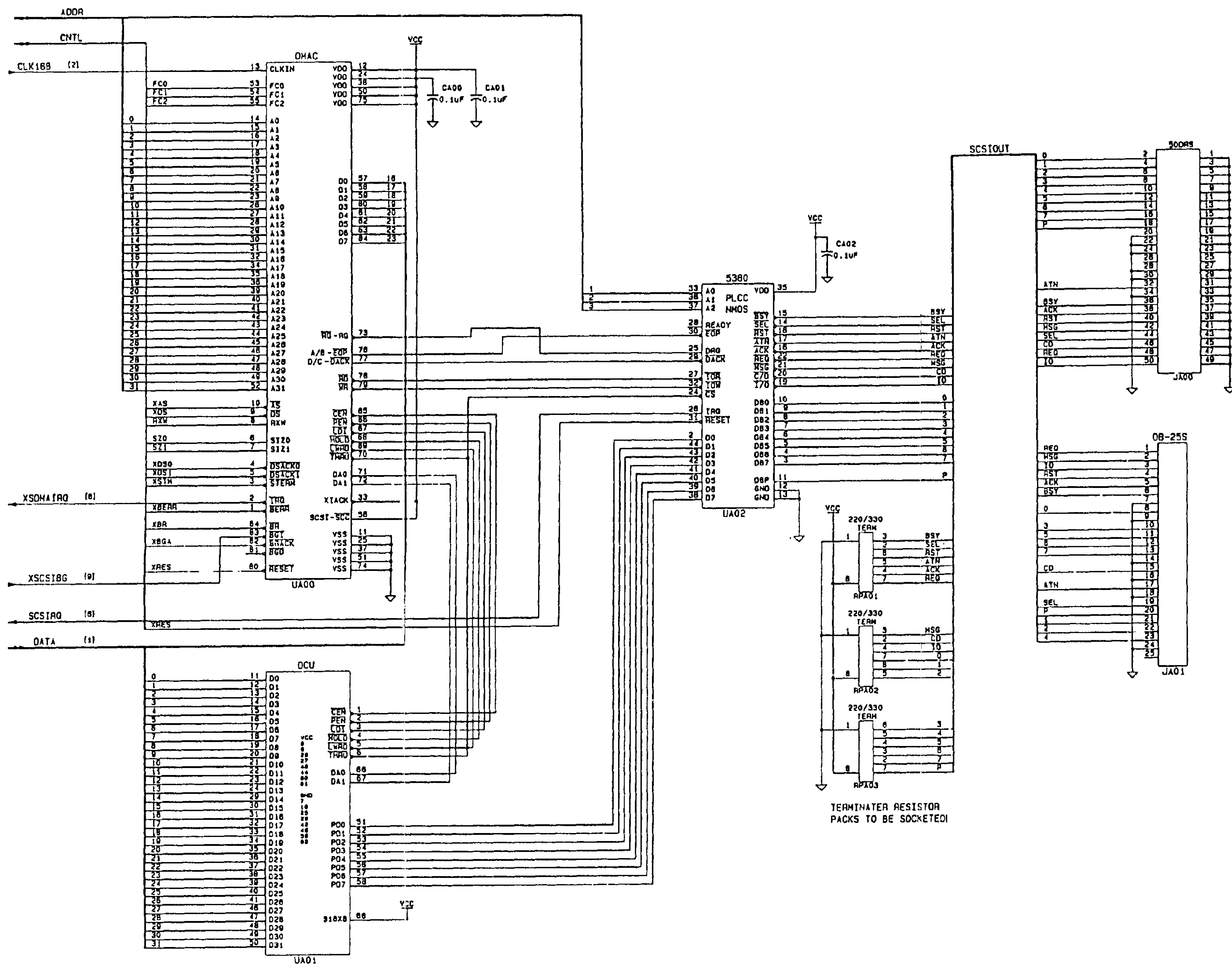
SIZE	CODE	NUMBER: C301752-221	REV:
0		ENGINEER: JOHN HORTON	2
DATE: MAY 07, 1990		1 SHEET 2 OF 12	

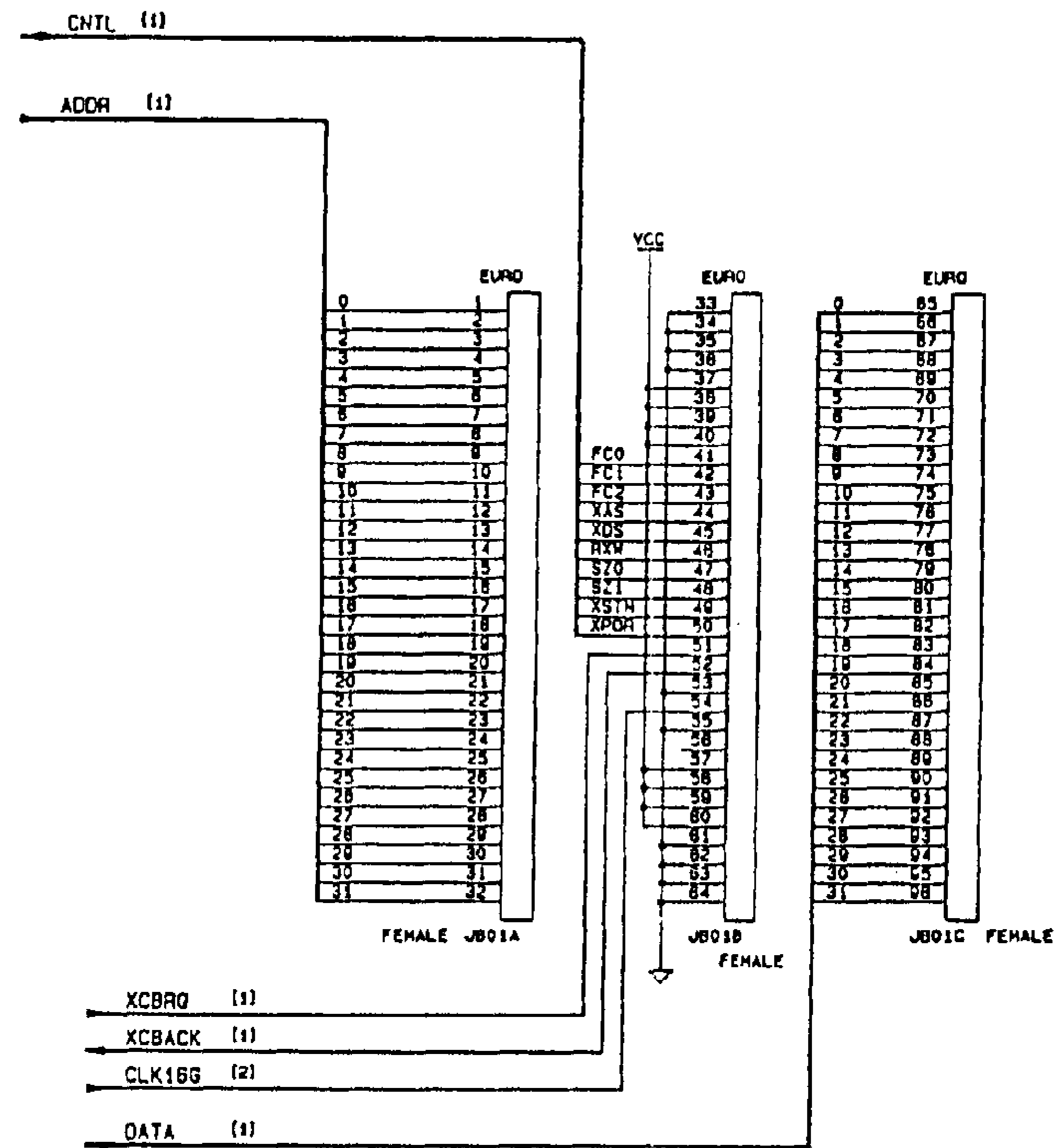


32 MHz

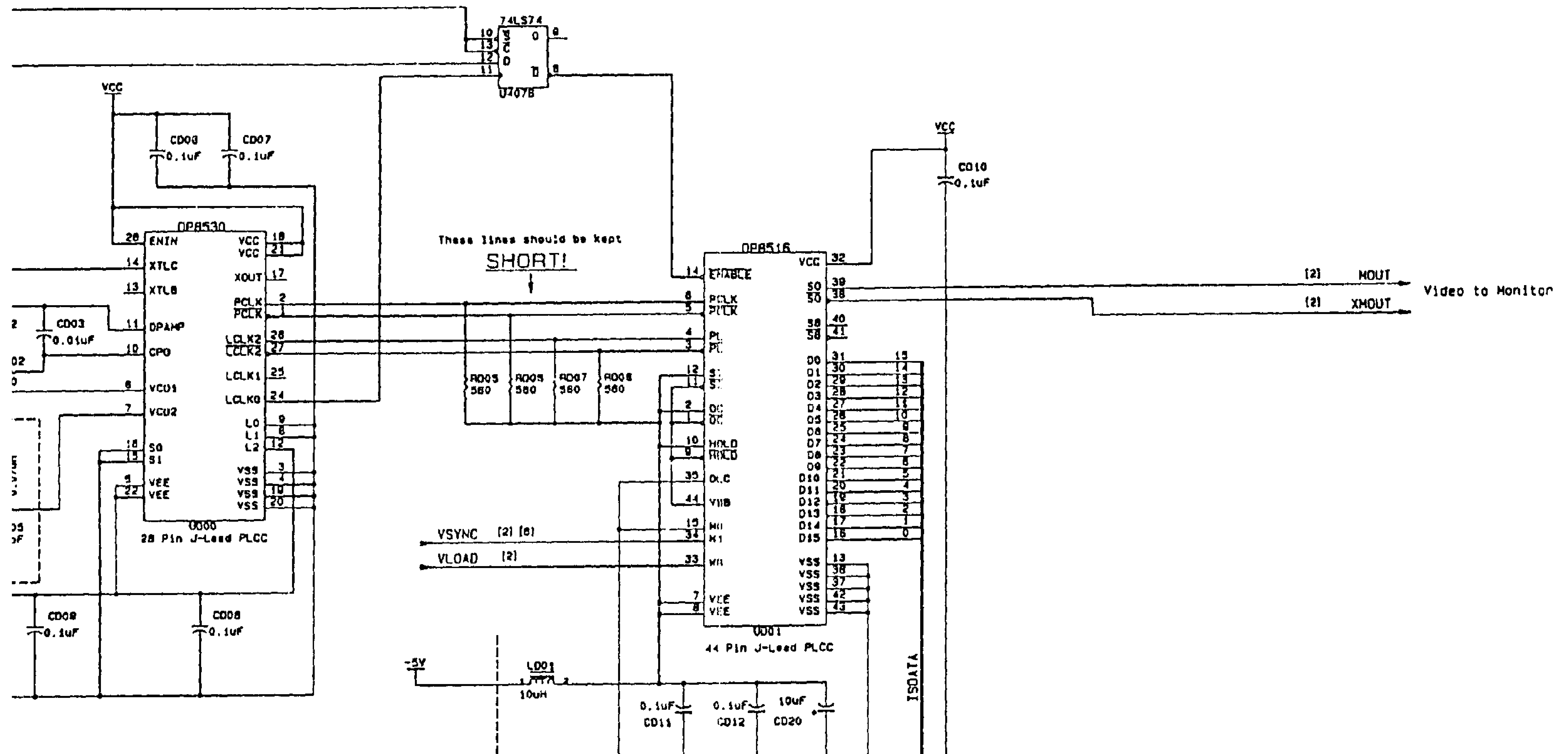
ATARI CORPORATION			
1100 BORREGAS, SUNNYVALE, CA 94085			
TT030/32			
SIZE	CODE	NUMBER	REV
0		C301762-001	1
ENGINEER JOHN MORISON			
DATE MAY 07, 1990			

9/12

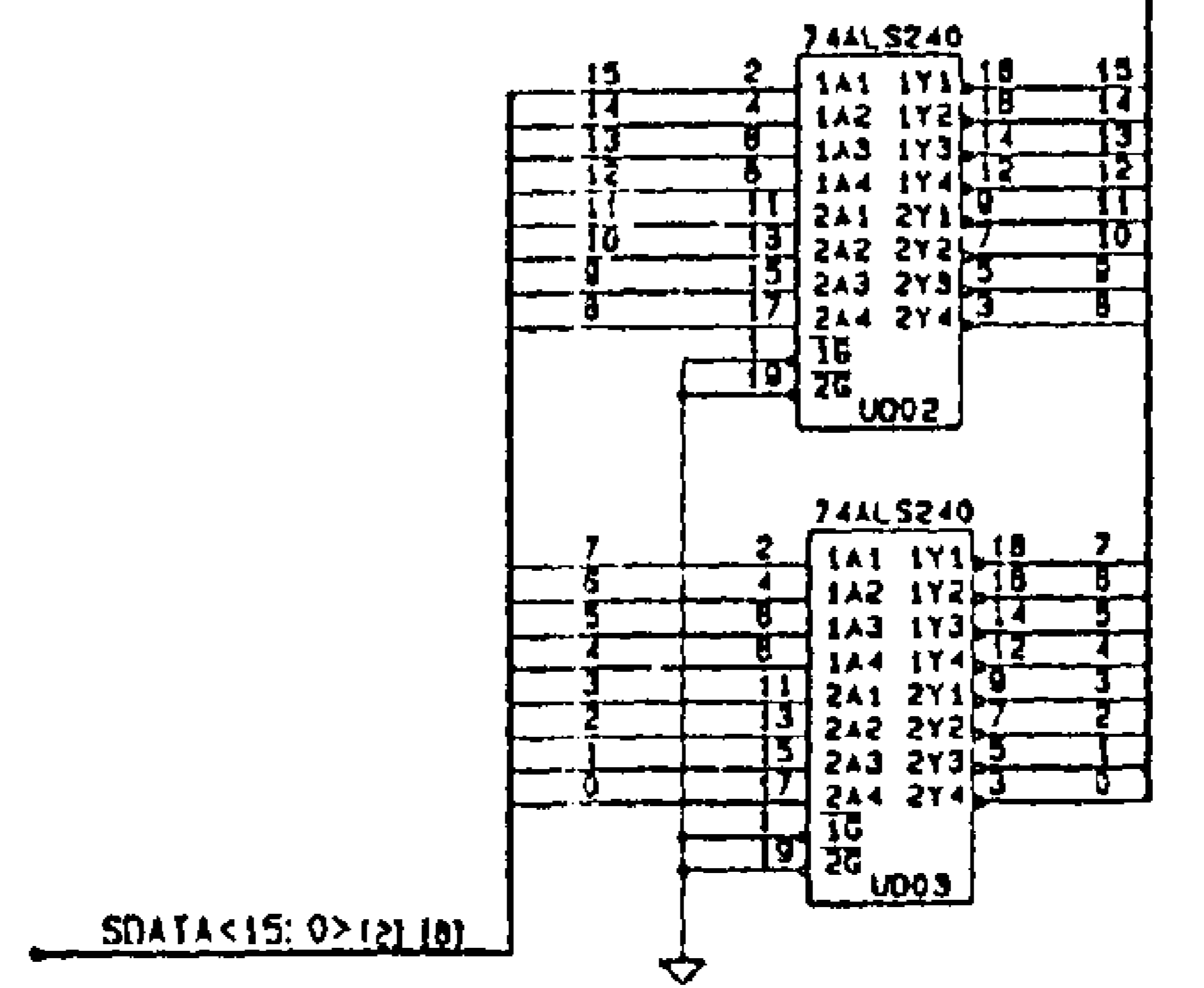




TT
FAST RAM
PCB



VEE/GND FOR THE DP8518 AND ASSOCIATED COMPONENTS SHOULD CONNECT TO THE SYSTEM AT ONE AND ONLY ONE POINT, PREFERABLY AT THE POWER CONNECTOR (J100). CD20 SHOULD BE A TANTALUM



32 MHz

ATARI CORPORATION
1196 BORGES BL. SUNNYVALE, CA 94086

T7030/3E

SIZE	TR03E	NUMBER	200703-001	REV	
DESIGNED BY		ENGINEER	JOHN WATSON	DATE	

12/12