


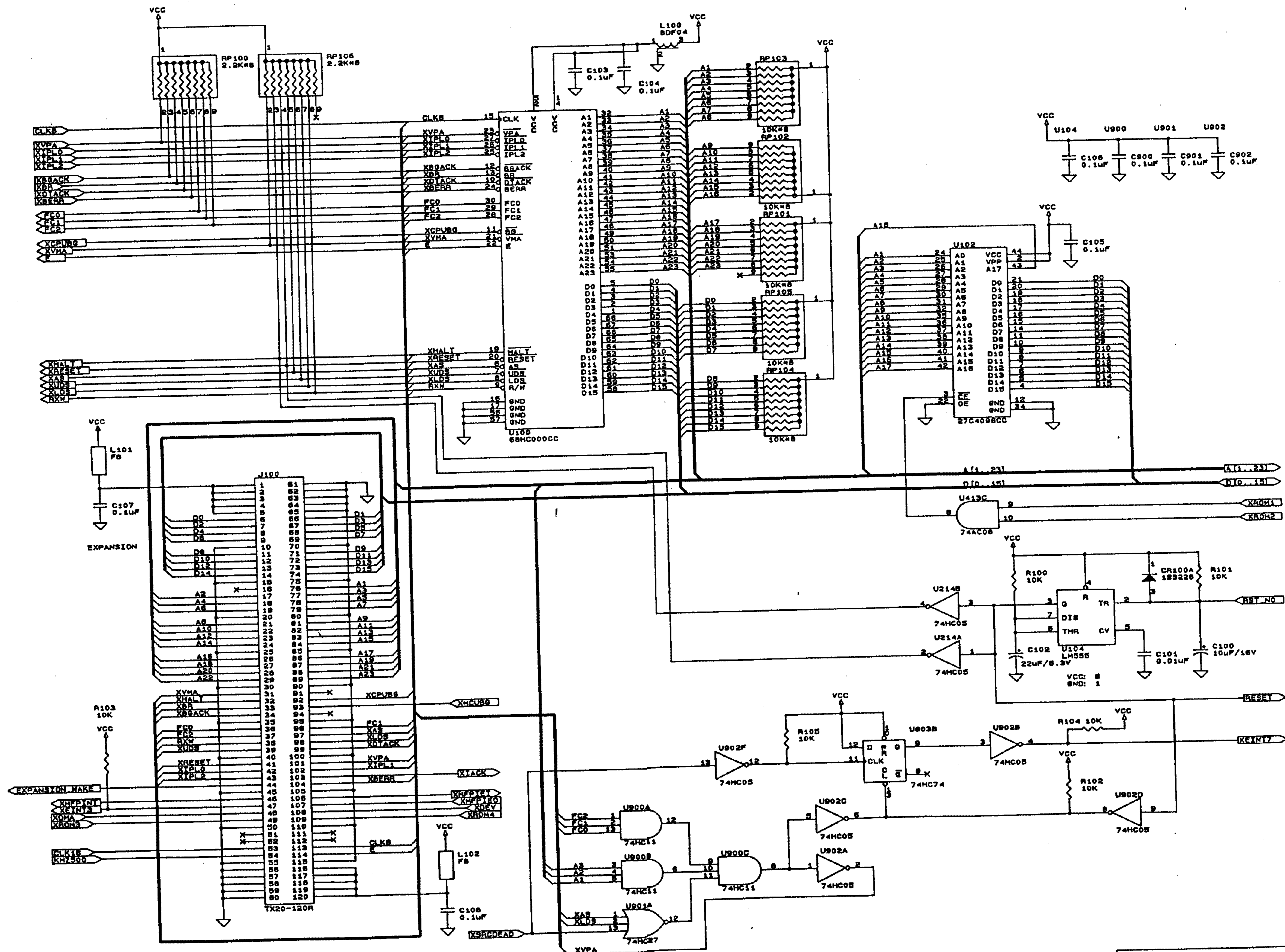
ST BOOK

REV	REVISIONS DESCRIPTION	DATE	APPROVED
1	PRELIMINARY RELEASE		
6	1MB/4MB VERSION	91.09.30	
7	ENGINEERING RELEASE		

MAXI ST SCHEMATIC DIAGRAMS 92.03.18

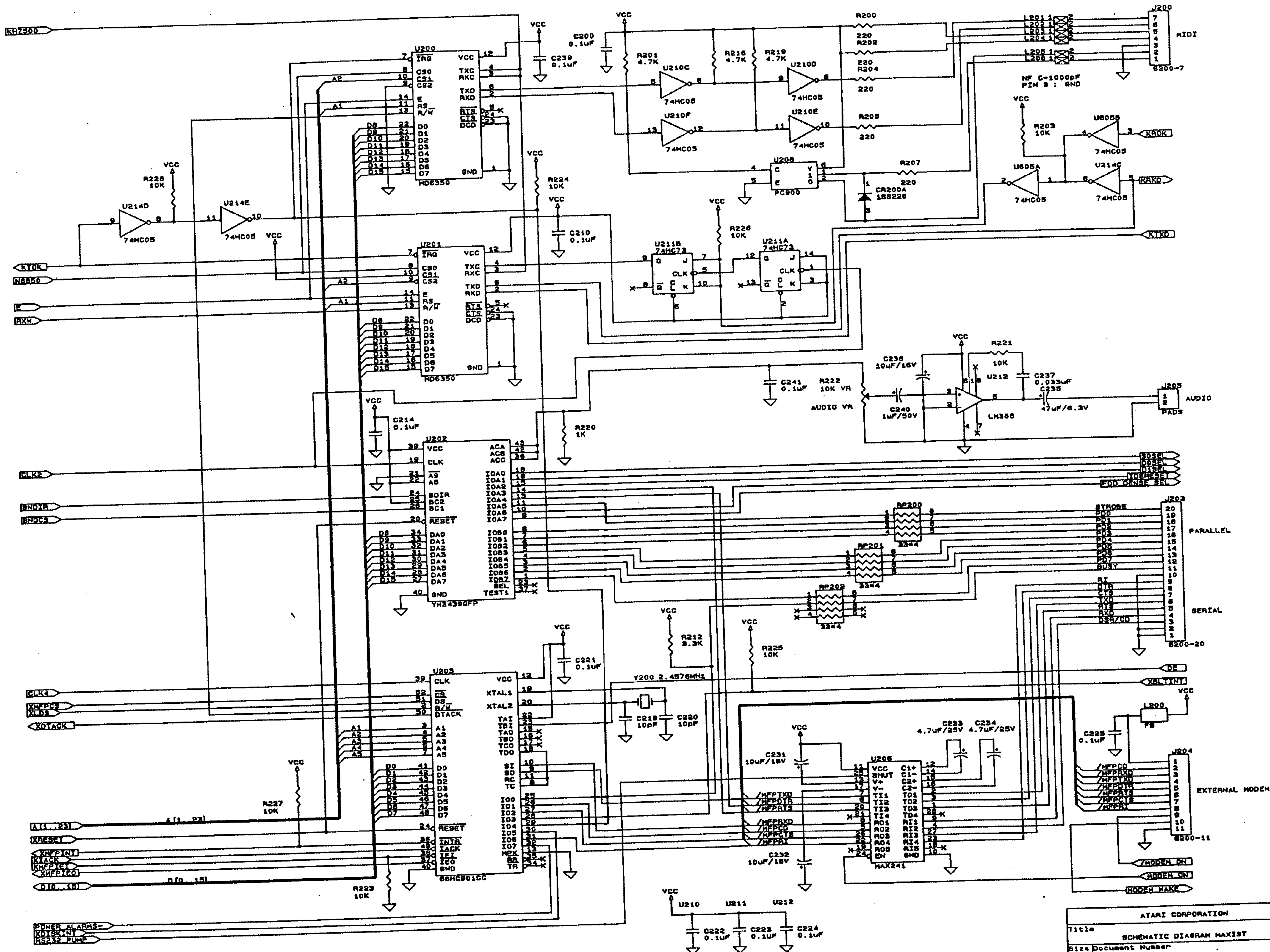
CPU, ROM & RESET SHEET 2 OF 12 MAXI_ST1.SCH	SERIAL & PARALLEL SHEET 3 OF 12 MAXI_ST2.SCH	MOV & LCD CONTROL SHEET 4 OF 12 MAXI_ST3.SCH
RAM SHEET 5 OF 12 MAXI_ST4.SCH	REFRESH CONTROL SHEET 6 OF 12 MAXI_ST5.SCH	AGSI & IDE I/F SHEET 7 OF 12 MAXI_ST6.SCH
KBDD CONTROL SHEET 8 OF 12 MAXI_ST7.SCH	POWER SYSTEM SHEET 9 OF 12 MAXI_ST8.SCH	DC-DC CONVERTER SHEET 10 OF 12 MAXI_ST9.SCH
ALARMS & RTC SHEET 11 OF 12 MAXI_STA.SCH	UNUSED STATES SHEET 12 OF 12 MAXI_STB.SCH	

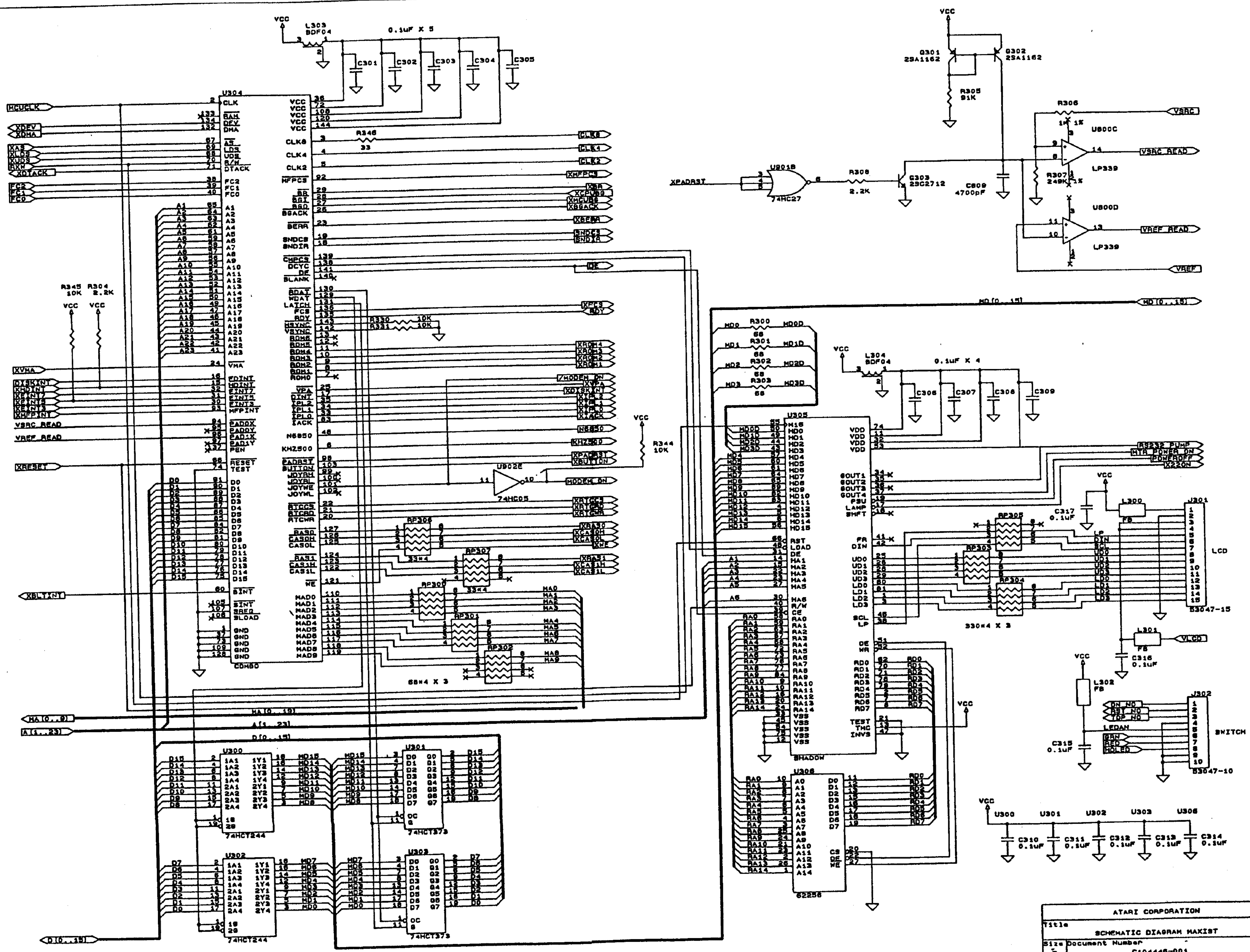
DRAWN BY J. TITZLER	DATE 09/30/91	 ATARI CORPORATION
CHECKED	DATE	
ENGINEER	DATE	TITLE SCHEMATIC DIAGRAM MAXIST
A. SHINAGAWA	09/08/91	SIZE DRAWING NO. C - C104446-001
APPROVED	DATE	REV 7.0
CARDOBERI-XXX NEXT ASSY APPLICATION	MAXIST USED ON ORIGINAL MODEL	SHEET 1 OF 12

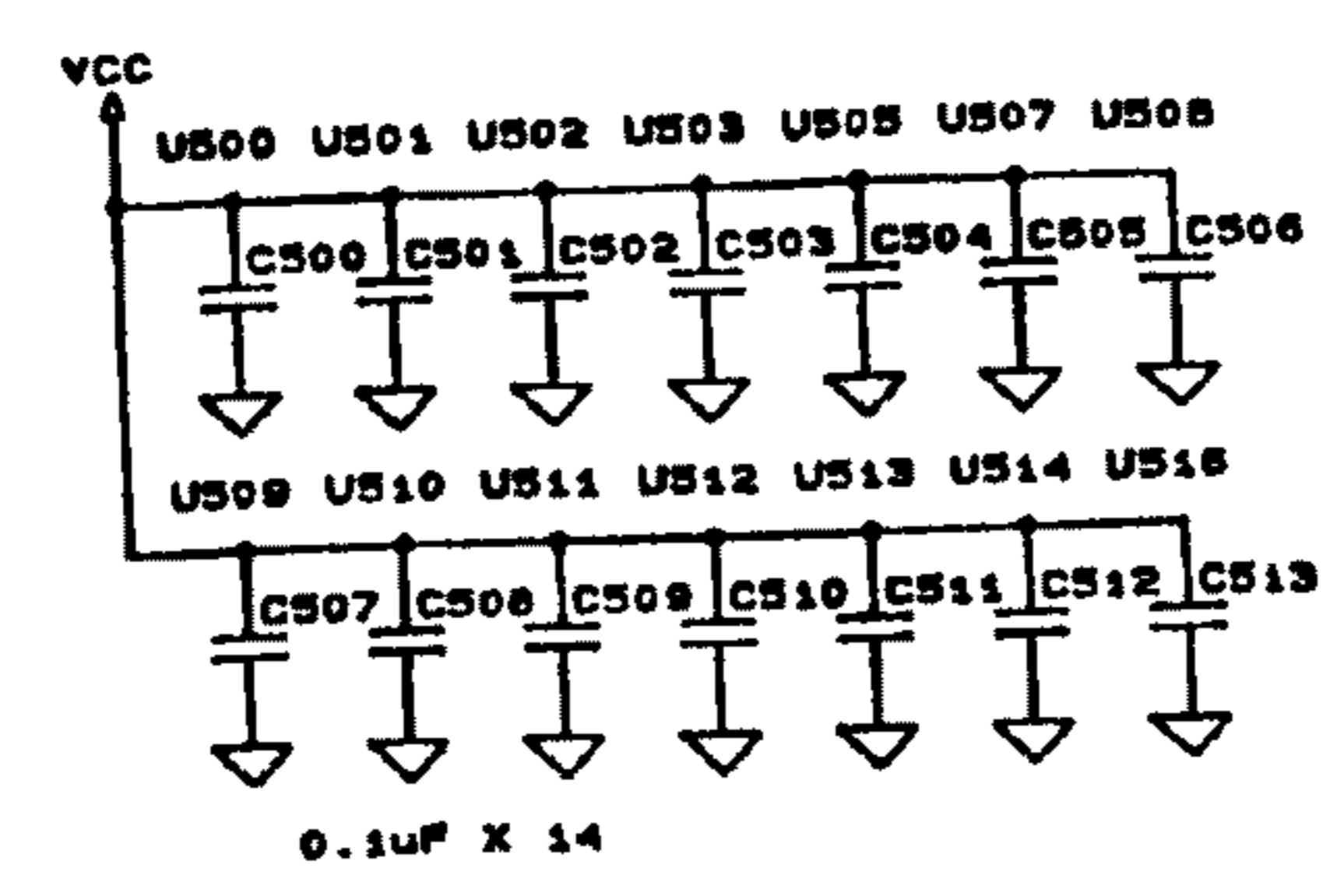
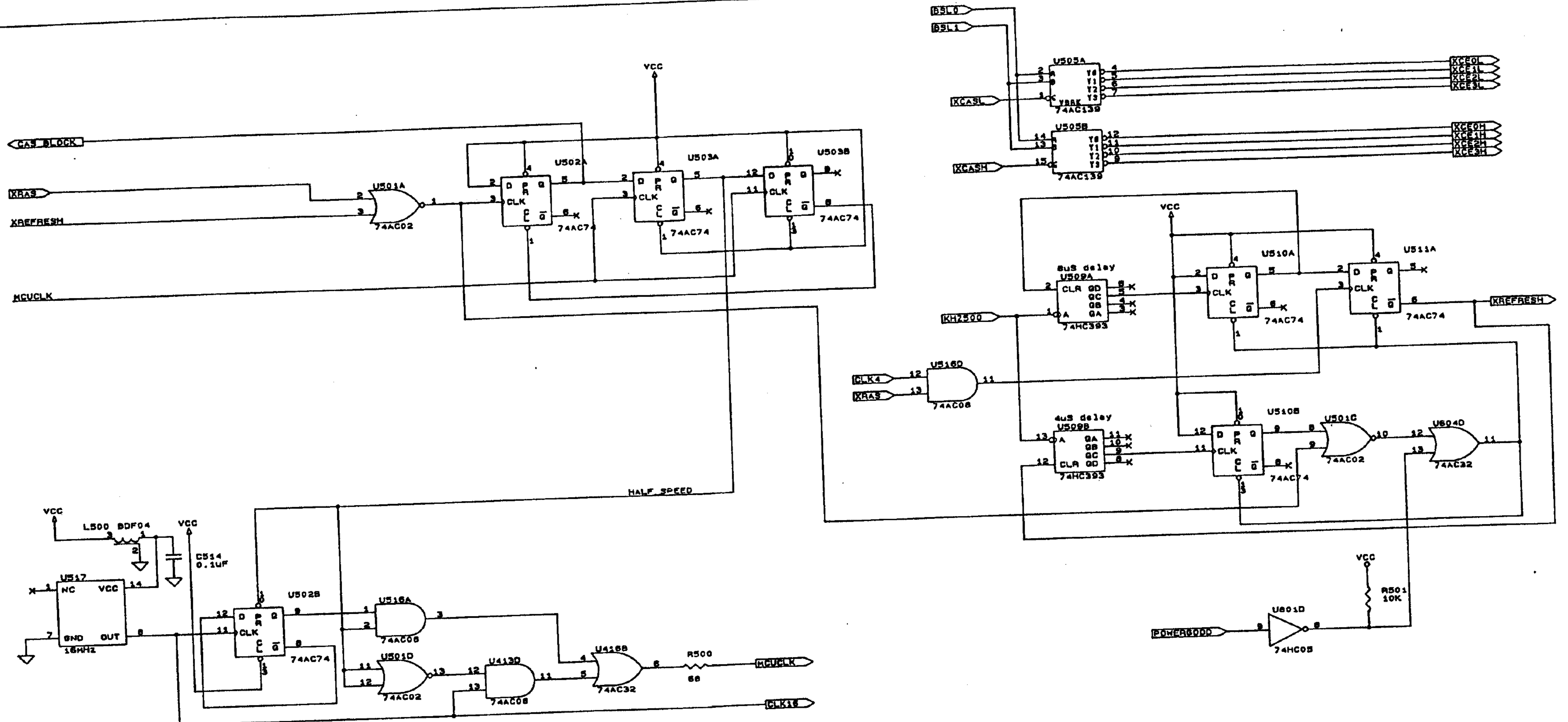


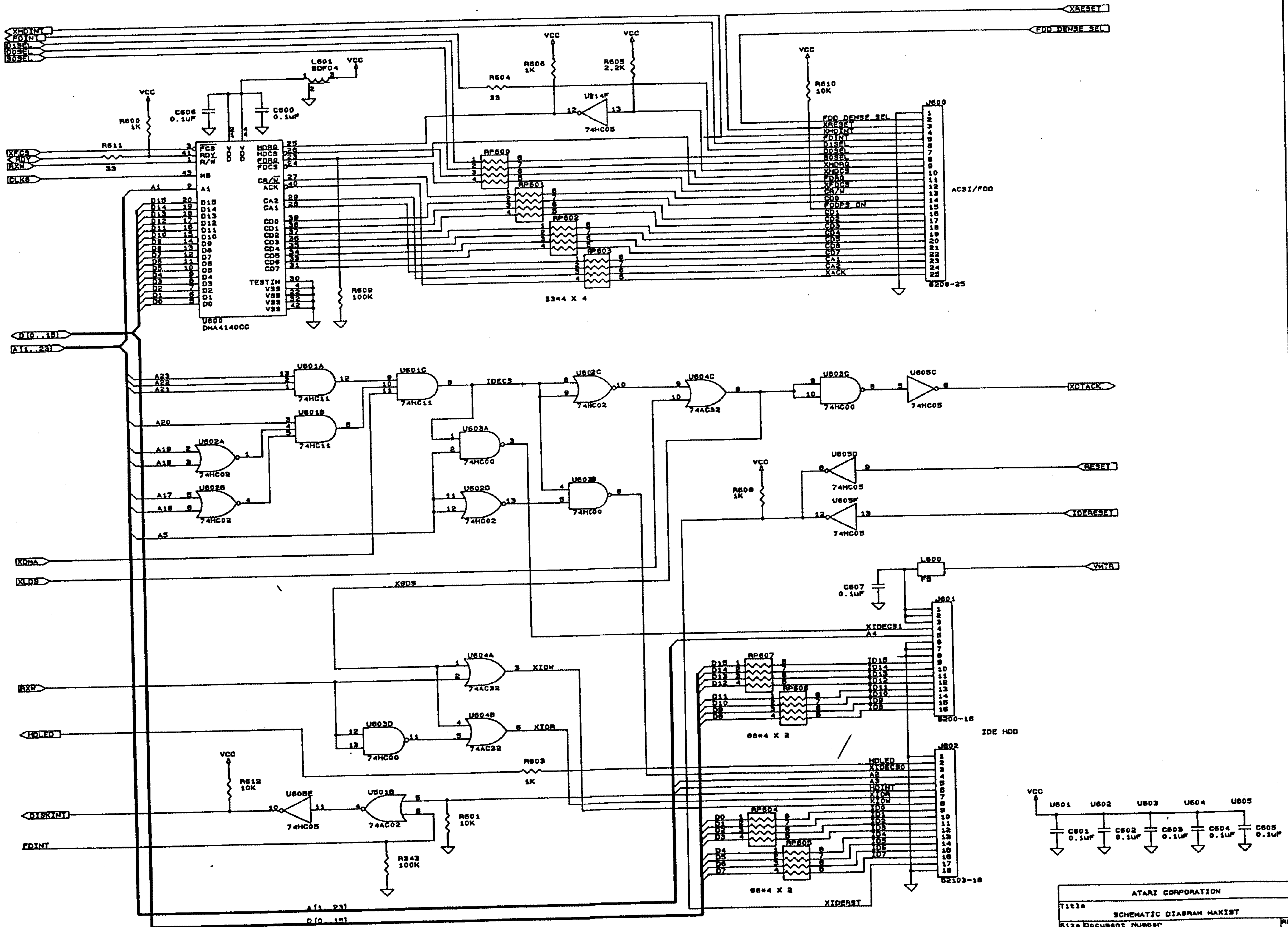
NOTES-UNLESS OTHERWISE SPECIFIED:

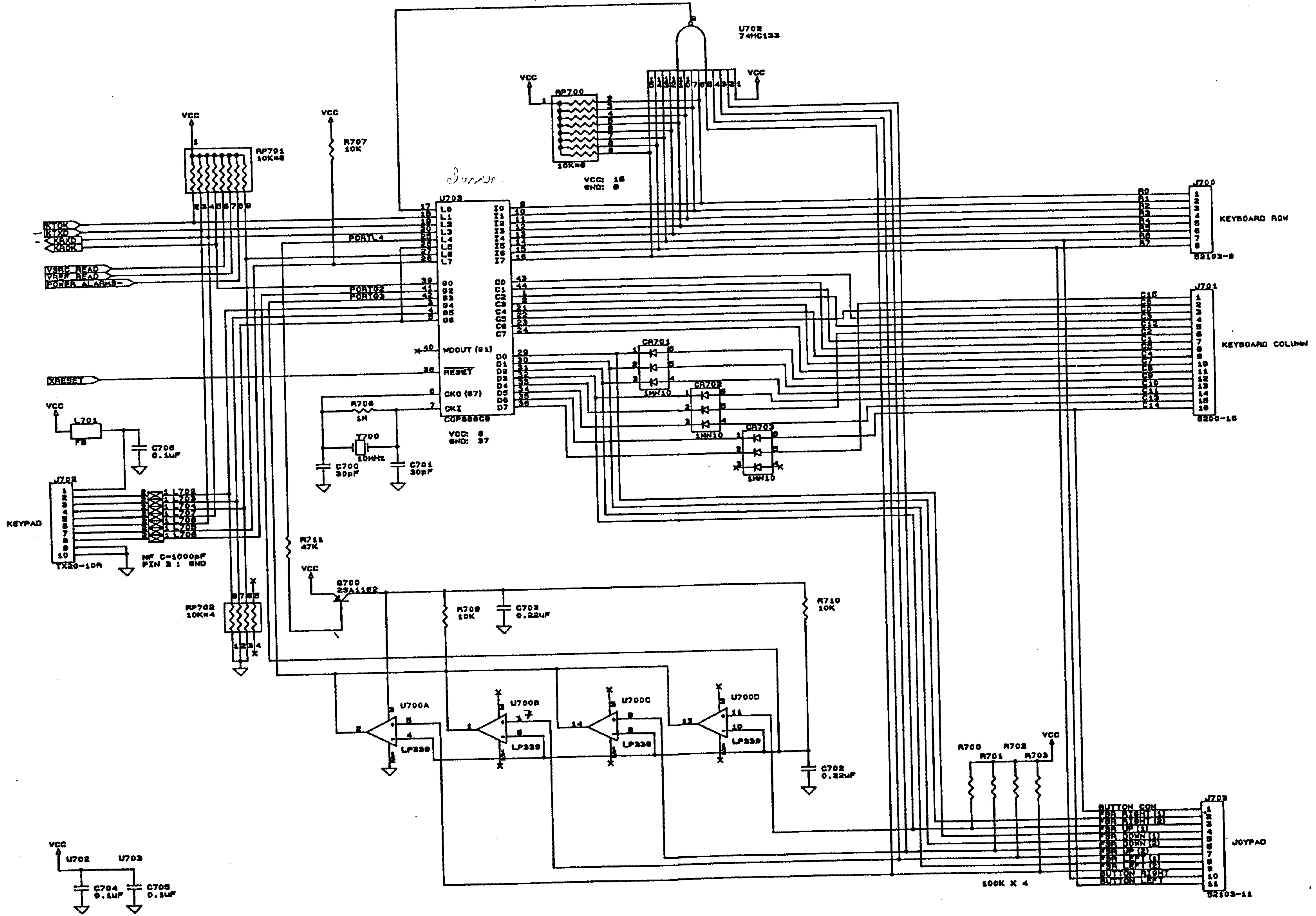
ATARI CORPORATION		
T1C10		
SCHEMATIC DIAGRAM MAXIST		
Size Document Number	C104448-001	REV 7.0
Date:	AUGUST 11, 1992	Sheet 2 of 12

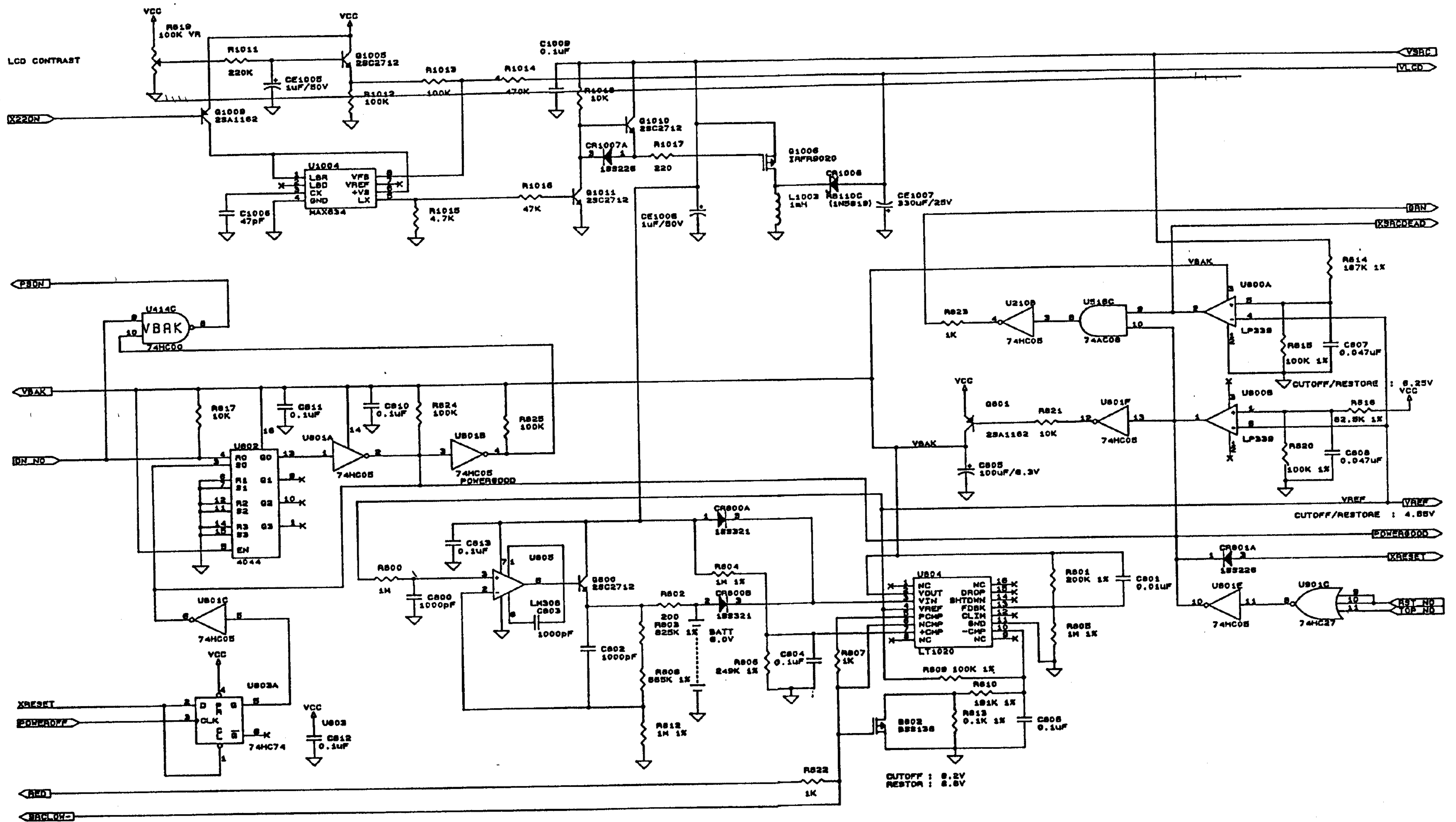




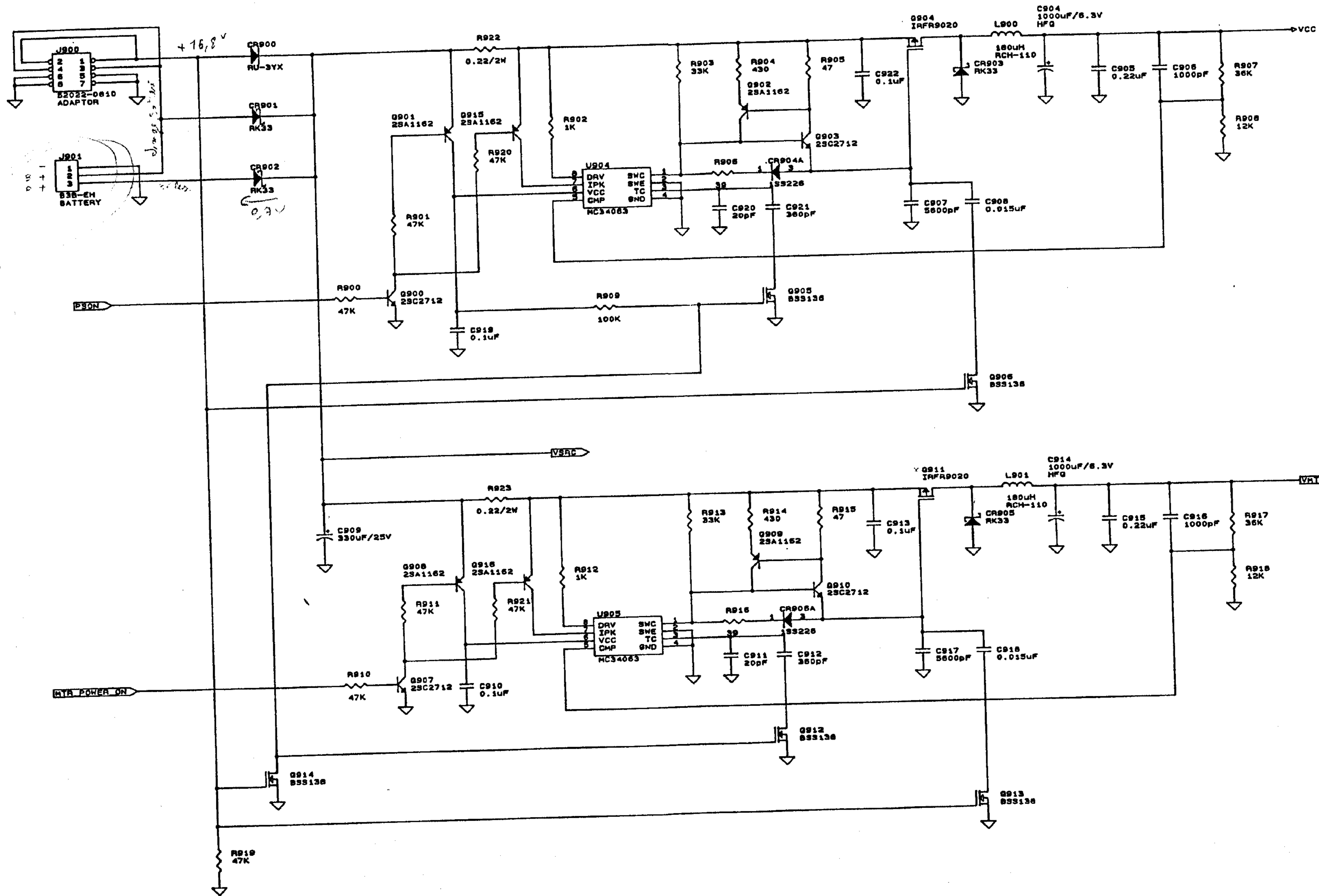


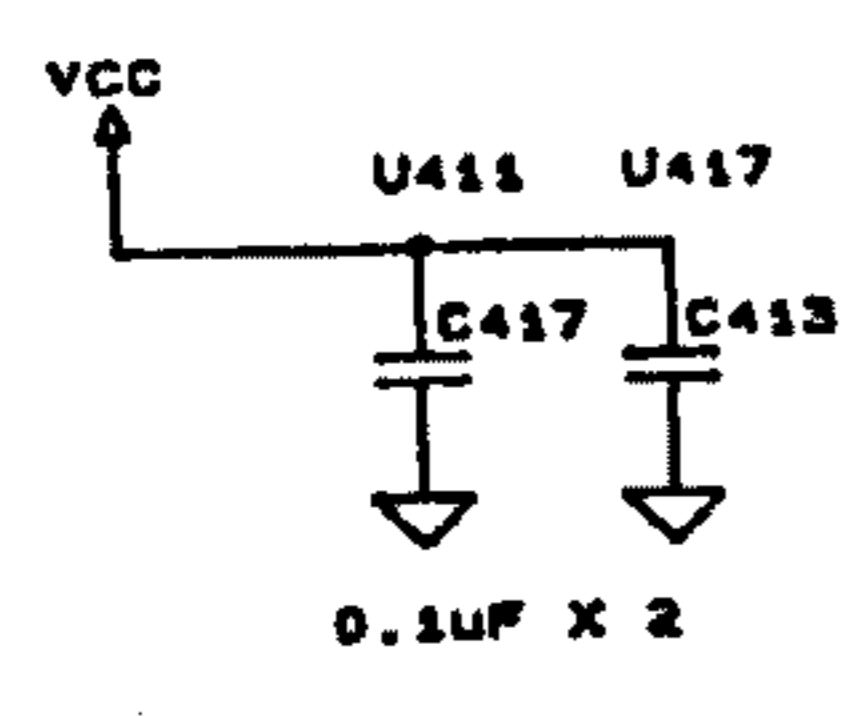
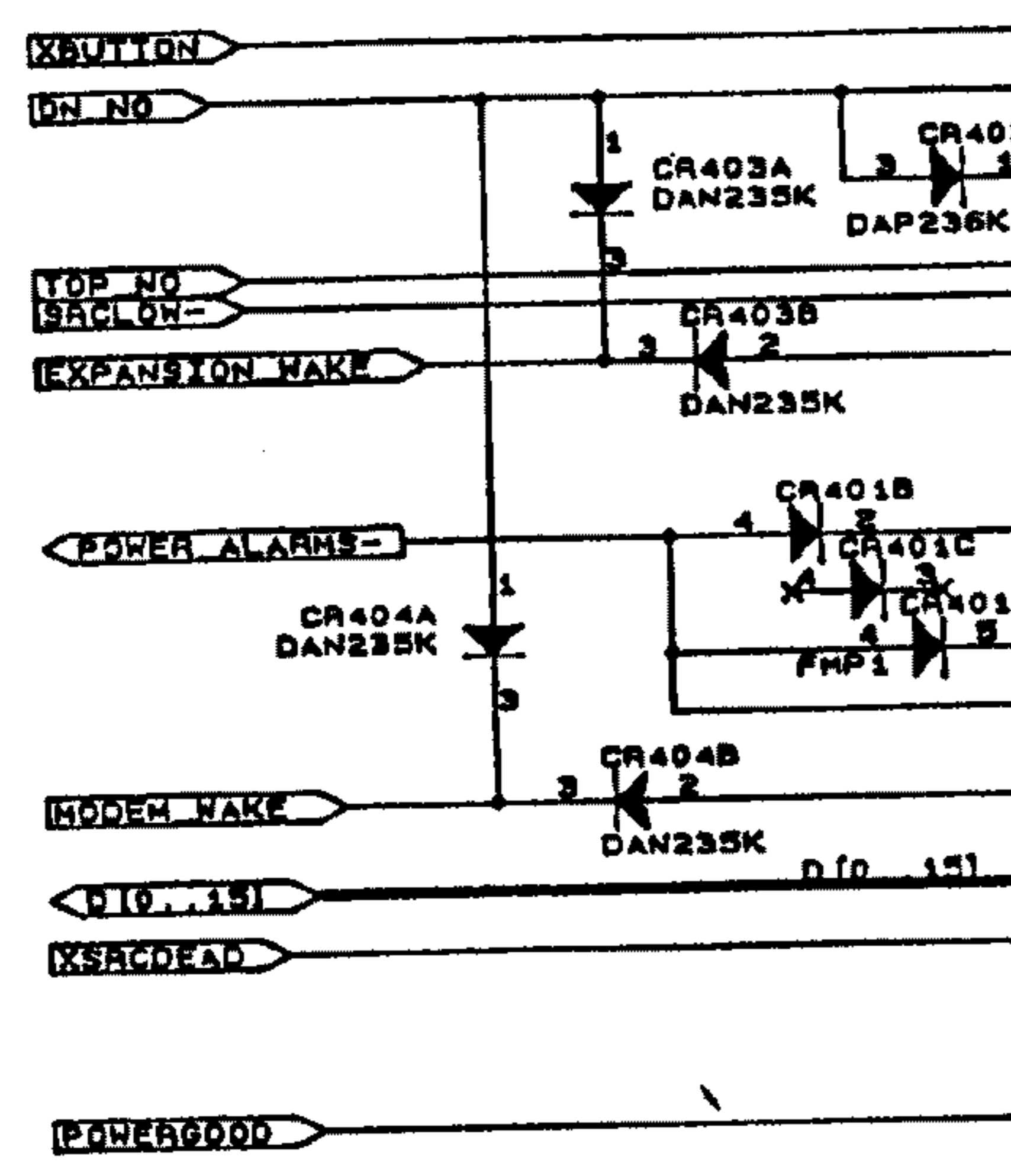
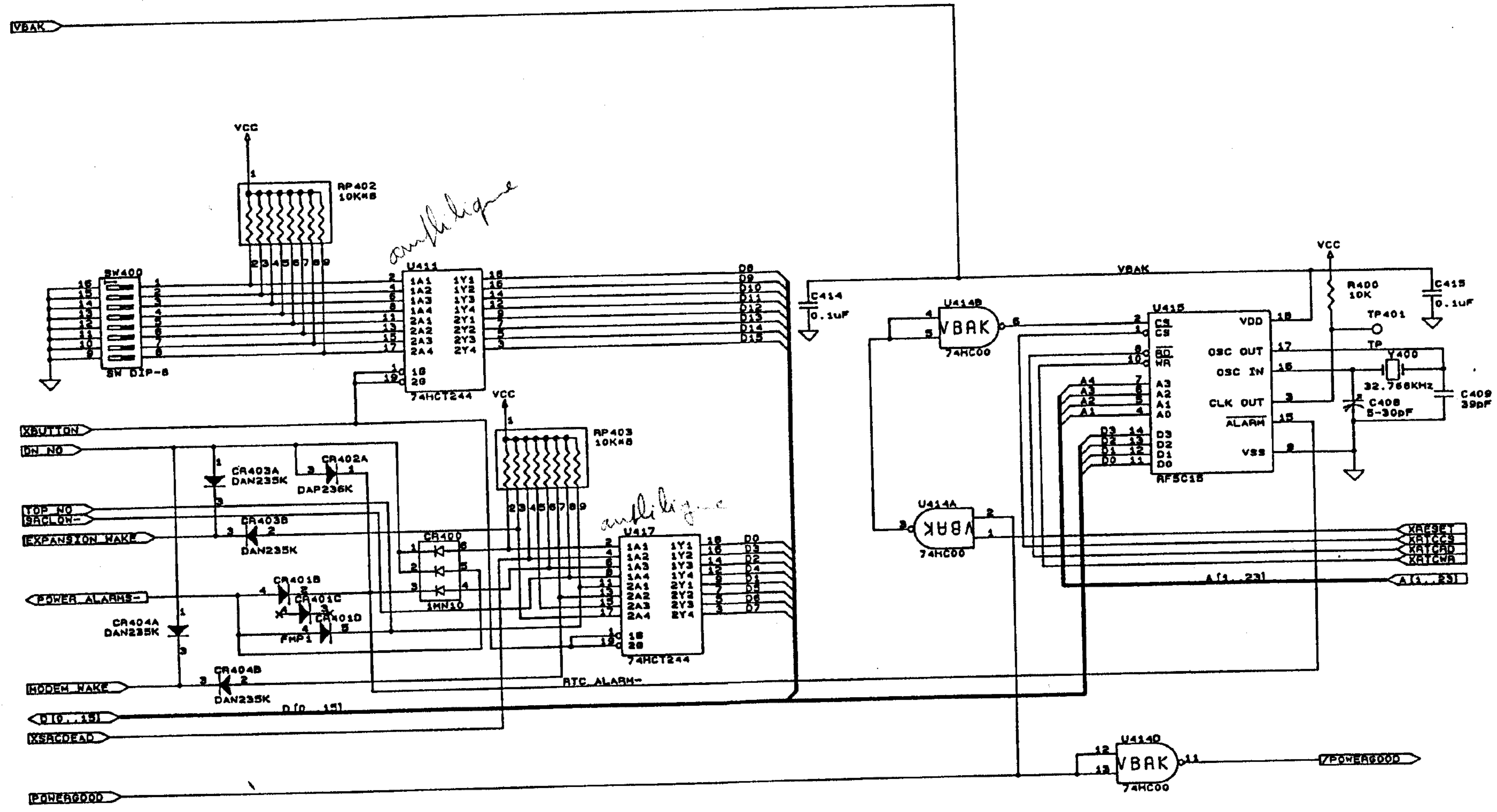




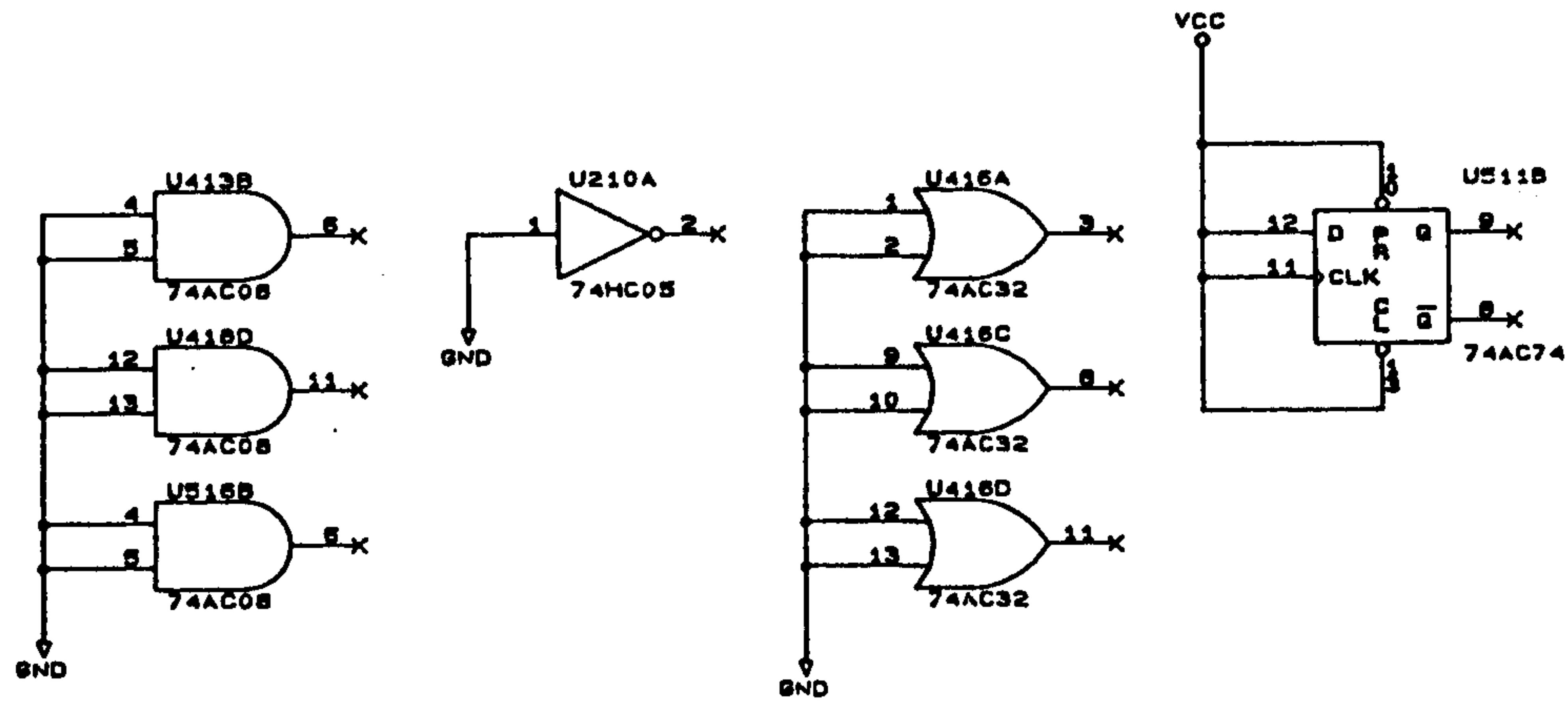


Here





ATARI CORPORATION		
Title	SCHEMATIC DIAGRAM MAXIST	
Size	Document Number	REV
C	C104448-001	7.0
Date:	APR 11 23, 1992	Sheet 11 of 12



ATARI CORPORATION		
Title		
SCHEMATIC DIAGRAM MAXIST		
Size	Document Number	REV
C	C104446-001	7.0
Date:	AUGUST 11, 1992	Sheet 12 of 12