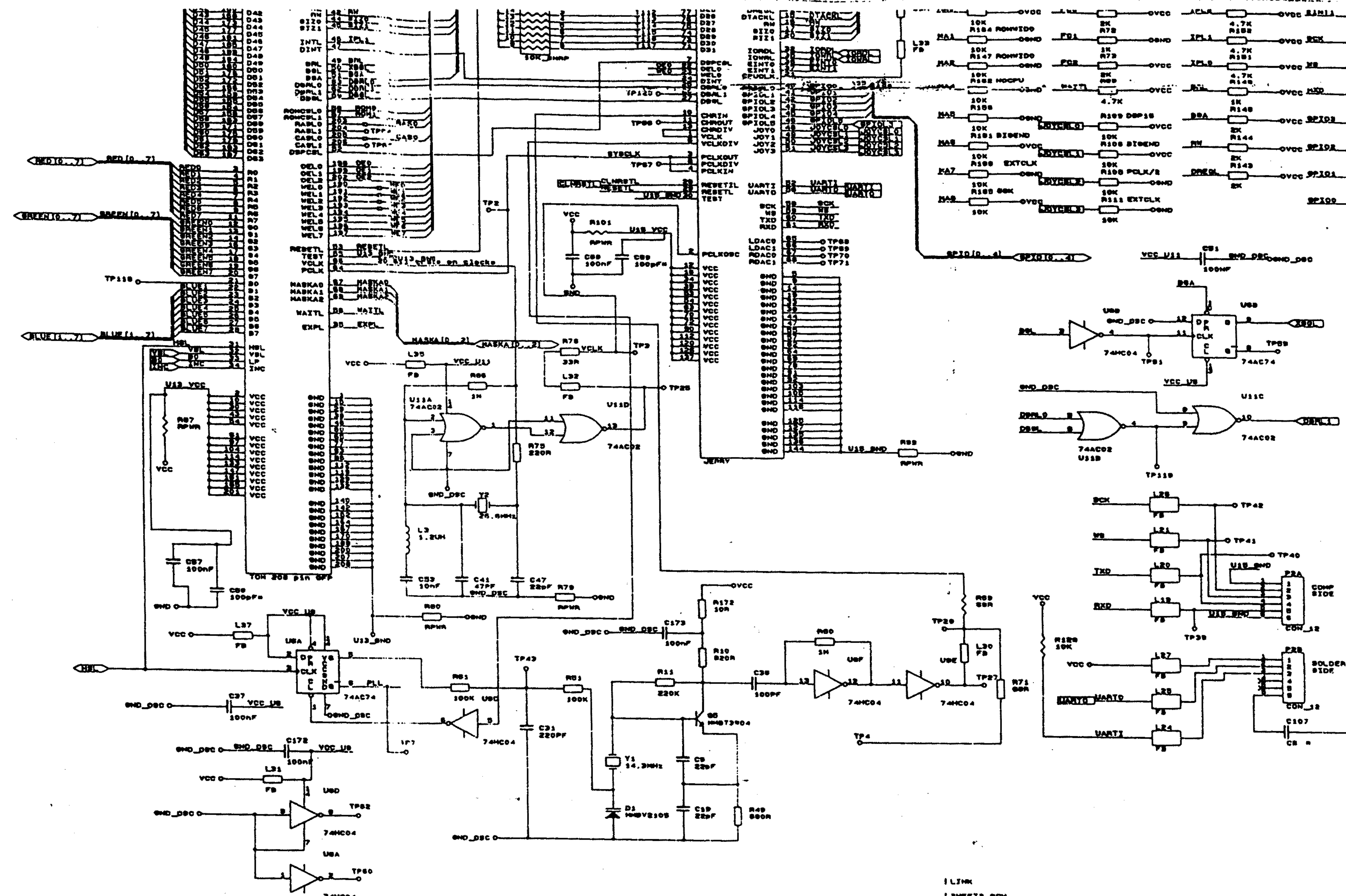


		Atari Corporation 1100 Berringer Avenue Sunnyvale, CA 94088	
700020	JAGUAR	Title	SON, JAGUAR CONSOLE
NEXT ARBY	USED ON ORIGINAL MODL	Doc. Number	500182
		Date:	July 18, 1984

A

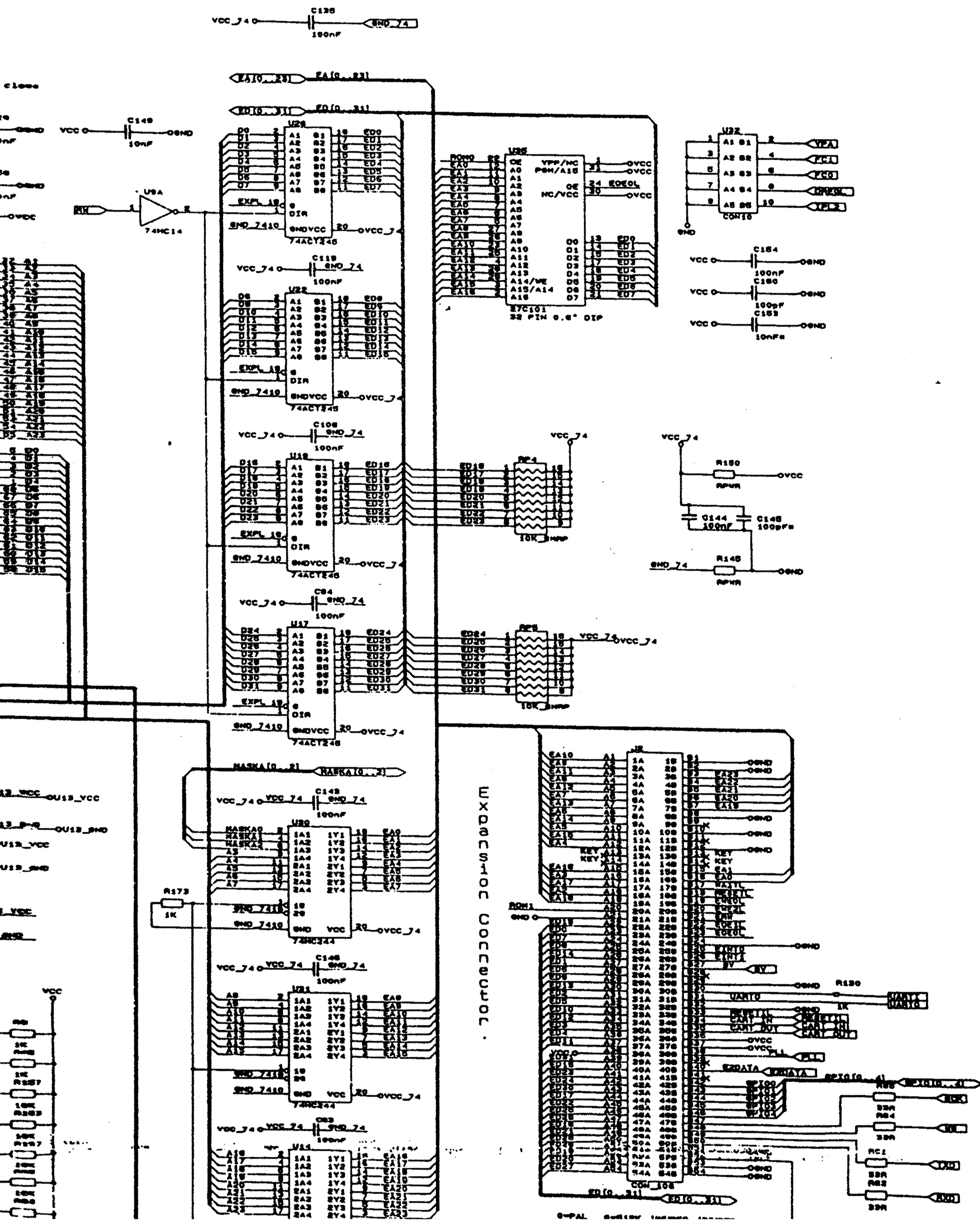


NOTE: ASTERISK (*), SUFFIX ON VALUE INDICATES COMPONENT IS NOT USED.

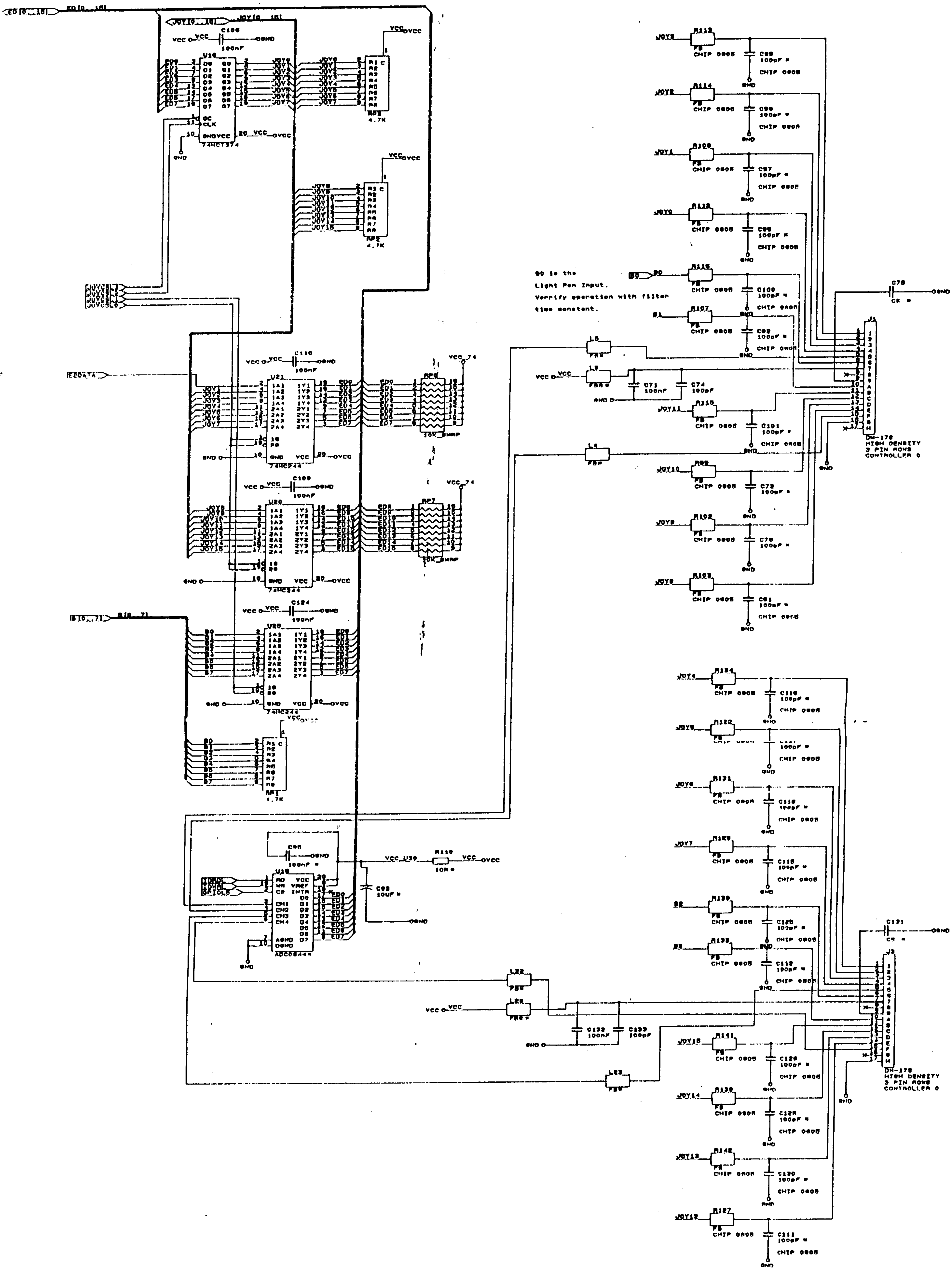
THIS DOCUMENT CONTAINS PROPRIETARY INFORMATION WHICH SHALL NOT BE REPRODUCED, TRANSMITTED TO OTHER DOCUMENTS, DISCLOSED TO OTHERS, USED FOR MANUFACTURING OR ANY OTHER PURPOSE WITHOUT THE WRITTEN AUTHORIZATION OF ATARI.

X

REV	REVISION DESCRIPTION	DATE	APPROVED
A	PRO. REL. PER ECO 1700	4/6/84	J. Smith
B	REVISED. PER ECO 1713	8/20/84	J. Smith
C	REVISED. PER ECO 1717	8/20/84	J. Smith
D	REVISED. PER ECO 1714	7/8/84	J. Smith
E	REVISED. PER ECO 1722	8/22/84	J. Smith



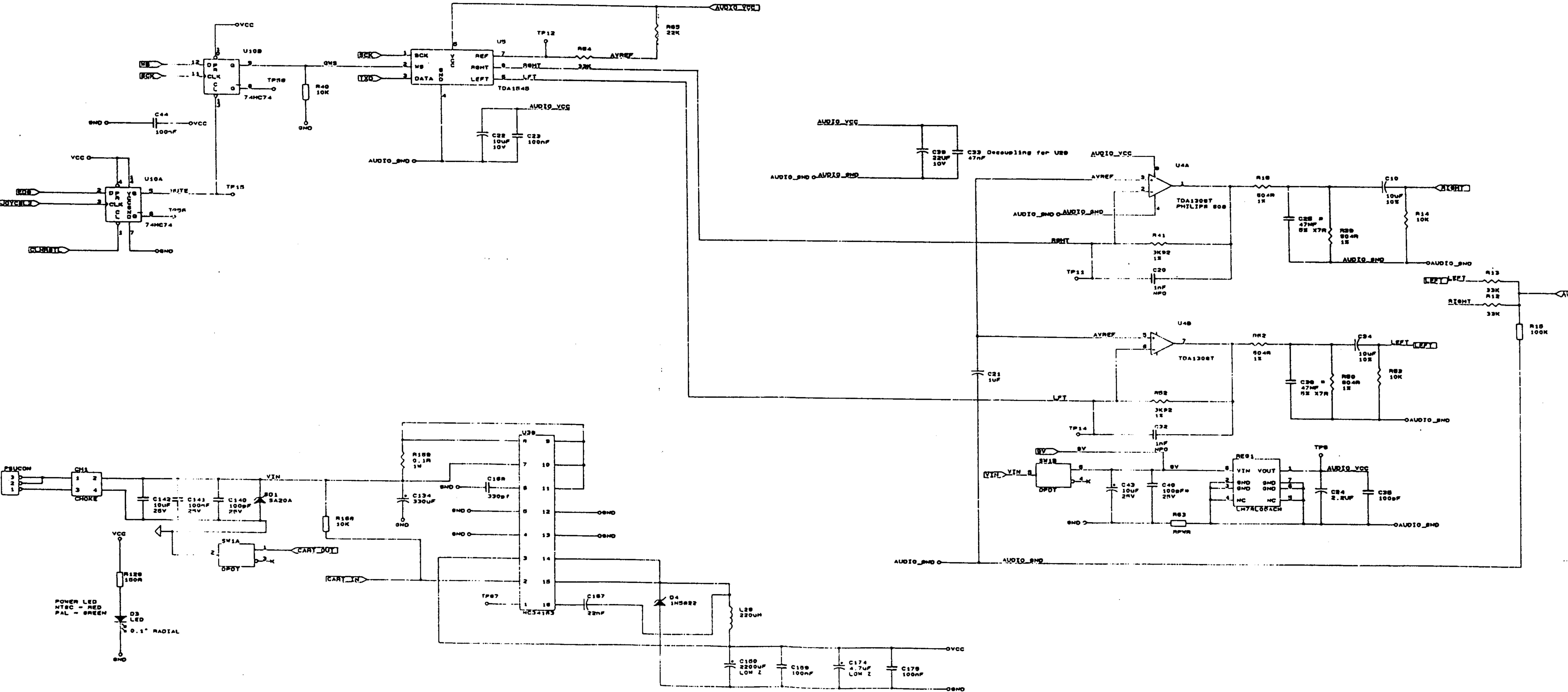
Joy-Stick Interface.



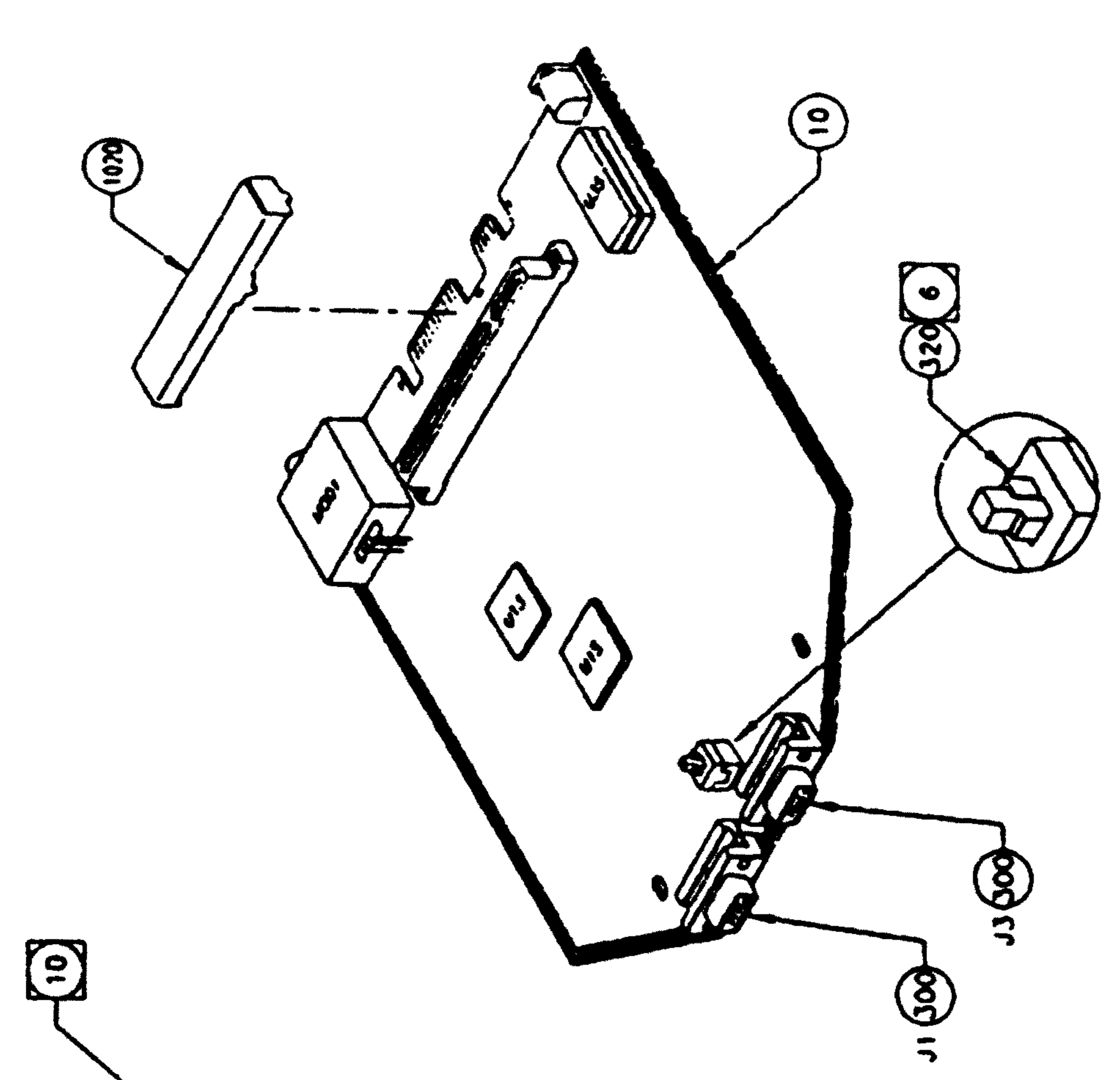
00 is the
 Light Pen Input.
 Verify operation with filter
 time constant.

DM-178
 HIGH DENSITY
 3 PIN ROWS
 CONTROLLER 0

DM-178
 HIGH DENSITY
 3 PIN ROWS
 CONTROLLER 0



REV	REVISION DESCRIPTION	DATE	APPROVED
A	PROD REL PER ECO 1667	9/21/73	J. Smith
B	REVISED PER ECO 1669	10/2/73	J. Smith
C	REVISED PER ECO 1675	11/2/73	J. Smith
D	REVISED PER ECO 1676	12/7/73	J. Smith
E	REVISED PER ECO 1680	12/7/73	J. Smith
F	REVISED PER ECO 1678A	12/7/73	J. Smith
G	REVISED PER ECO 1681	12/7/73	J. Smith
H	REVISED PER ECO 1684	1/10/74	J. Smith
J	REVISED PER ECO 1687	2/16/74	J. Smith
K	REVISED PER ECO 1692	2/16/74	J. Smith
L	REVISED PER ECO 1696	4/18/74	J. Smith
M	REVISED PER ECO 1694	4/18/74	J. Smith
N	REVISED PER ECO 1715	6/20/74	J. Smith
P	REVISED PER ECO 1717	6/20/74	J. Smith
R	REVISED PER ECO 1714	7/12/74	J. Smith
S	REVISED PER ECO 1722	8/22/74	J. Smith
S1	REVISED PER ECO 1711	10/15/74	J. Smith
S2	REVISED PER ECO 1716	10/15/74	J. Smith
T	REVISED PER ECO 1736	12/25/74	J. Smith
U	REVISED PER ECO 1759	3/21/75	J. Smith



REV	DESCRIPTION	DATE	BY
001	NTSC-NORTH AMERICAN TV STD		R
002	PAL-I-UNITED KINGDOM TV STD		H
003	PAL-G-EUROPEAN TV STD		M
004	PERITEL-FRANCE NO MOD		H
024	NTSC-JAPAN		A

SEE SEPARATE PARTS LIST

DATE	BY	DESCRIPTION	REV
11/21/73	J. Smith	ATARI CORPORATION	1
12/7/73	J. Smith	ATARI CORPORATION	2
1/10/74	J. Smith	ATARI CORPORATION	3
2/16/74	J. Smith	ATARI CORPORATION	4
4/18/74	J. Smith	ATARI CORPORATION	5
6/20/74	J. Smith	ATARI CORPORATION	6
7/12/74	J. Smith	ATARI CORPORATION	7
8/22/74	J. Smith	ATARI CORPORATION	8
10/15/74	J. Smith	ATARI CORPORATION	9
12/25/74	J. Smith	ATARI CORPORATION	10
3/21/75	J. Smith	ATARI CORPORATION	11

ATARI CORPORATION
1198 Berkeley Avenue
Sunnyvale, CA 94088

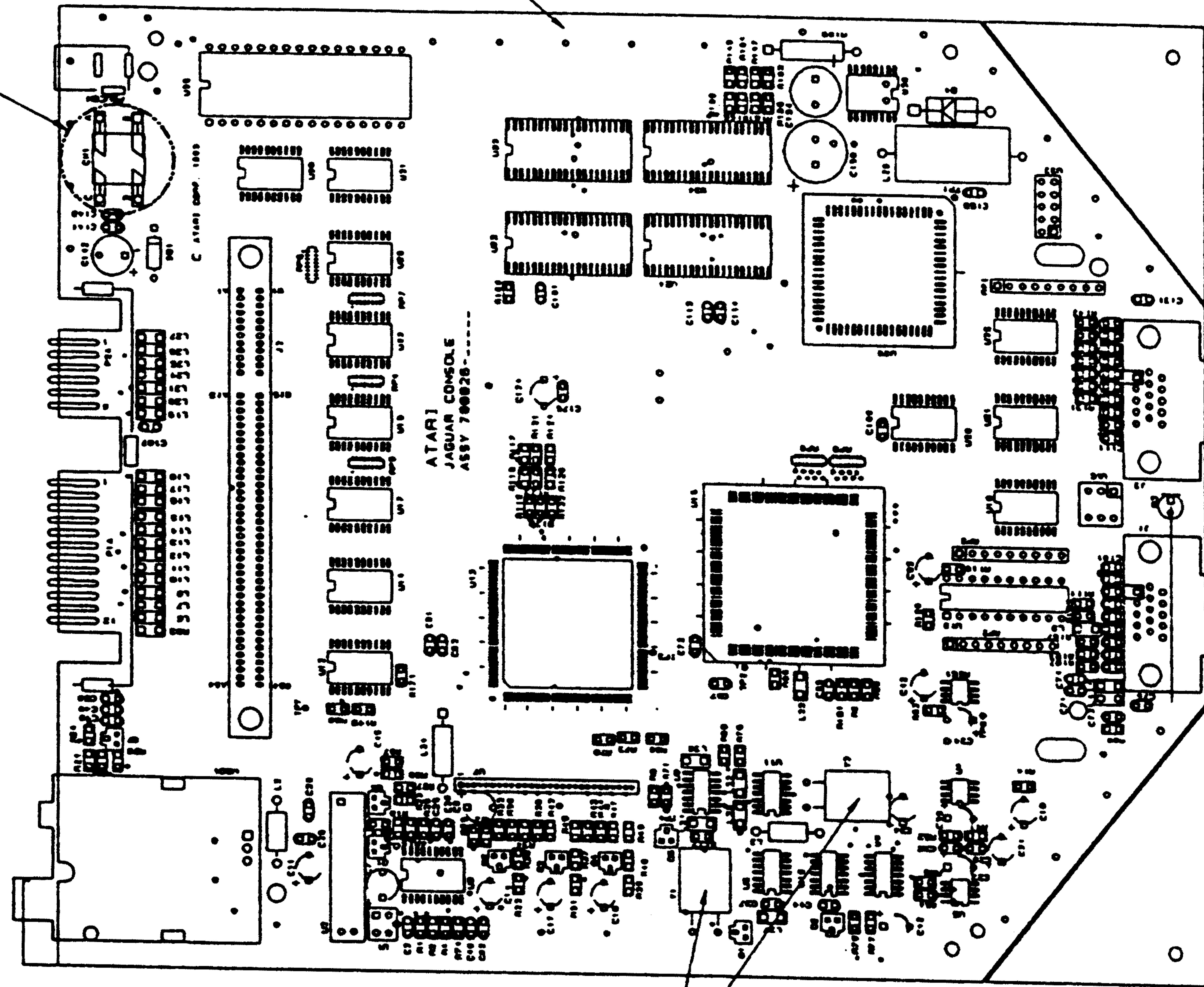
ASST. P.C.A.
JAGUAR CONSOLE

700025
NET WT 1.87
GROSS WT 2.00

700025
NET WT 1.87
GROSS WT 2.00

SCALE 2=1

1-447 1 2



26. THIS NOTE APPLIES TO PCBAS WITH REVISION A ARTWORK ONLY.
LIFT THE LEAD OF IC U11 PIN 3 AND U11 PIN 11
JUMPER LIFTED LEAD OF U11-3 AND U11-11 TO U11-7 (GROUND)
25. AT LOCATIONS U13, ITEM 130, AND U15, ITEM 140, YOU CAN USE ALTERNATE SOURCE, TOSHIBA, AT LOCATION U13, P/N 500436, YOU CAN USE ALTERNATE PART, P/N 500163, ITEM 131, AT LOCATION U15, P/N 500429, YOU CAN USE ALTERNATE PART, P/N 500164, ITEM 131.
24. JUMPER LOCATION L2 PIN 1 TO L2 PIN 2 WITH INSULATED WIRE. THIS NOTE APPLIES TO REVISION A, B & C FAB PCB ONLY.
23. THIS NOTE APPLIES TO REV 'A' A/V ONLY DO NOT INSTALL CHIP CAPS C61 AND C62.
INSTALL AXIAL CAP C61X OVER THE BODY OF U23 FROM U23 PIN 12 TO U23 PIN 35.
INSTALL AXIAL CAP C62X OVER THE BODY OF U23 FROM U23 PIN 13 TO U23 PIN 21.
21. CUT THE COPPER TRACE ON THE SOLDER SIDE OF THE PCB FROM U15 PIN 2 TO U13 PIN 66. JUMPER U13 PIN 66 TO U11 PIN 1 WITH 28 AWG INSULATED WIRE. THIS NOTE APPLIES TO REVISION A AND B FAB PCB ONLY.
20. INSTALL ITEM 1070 (SPRING CONTACTS) WHERE SHOWN. SOLDER TO PCB PER ENGINEERING SAMPLE.
19. BEND 3RD MOUNTING TAB OF M001 (NOT SOLDERED) SO THAT IT CRIMPS THE EDGE OF THE PCB AND PROVIDES MECHANICAL SUPPORT.
18. J1, J3, D3 LEAD LENGTH TO BE 0.080 INCHES MAX. ALL OTHERS TO BE 0.100 MAX. METAL HOUSING OF CRYSTALS Y1 + Y2 MUST BE SOLDERED TO THE GROUND PLANE.



ATARI CORPORATION
 1198 Borregos Avenue
 Sunnyvale, CA 94086

ATARI

TITLE: ASSY. PCA. JAGUAR

SHEET: 0 OF 2

DATE: 7/00/26

REV: U