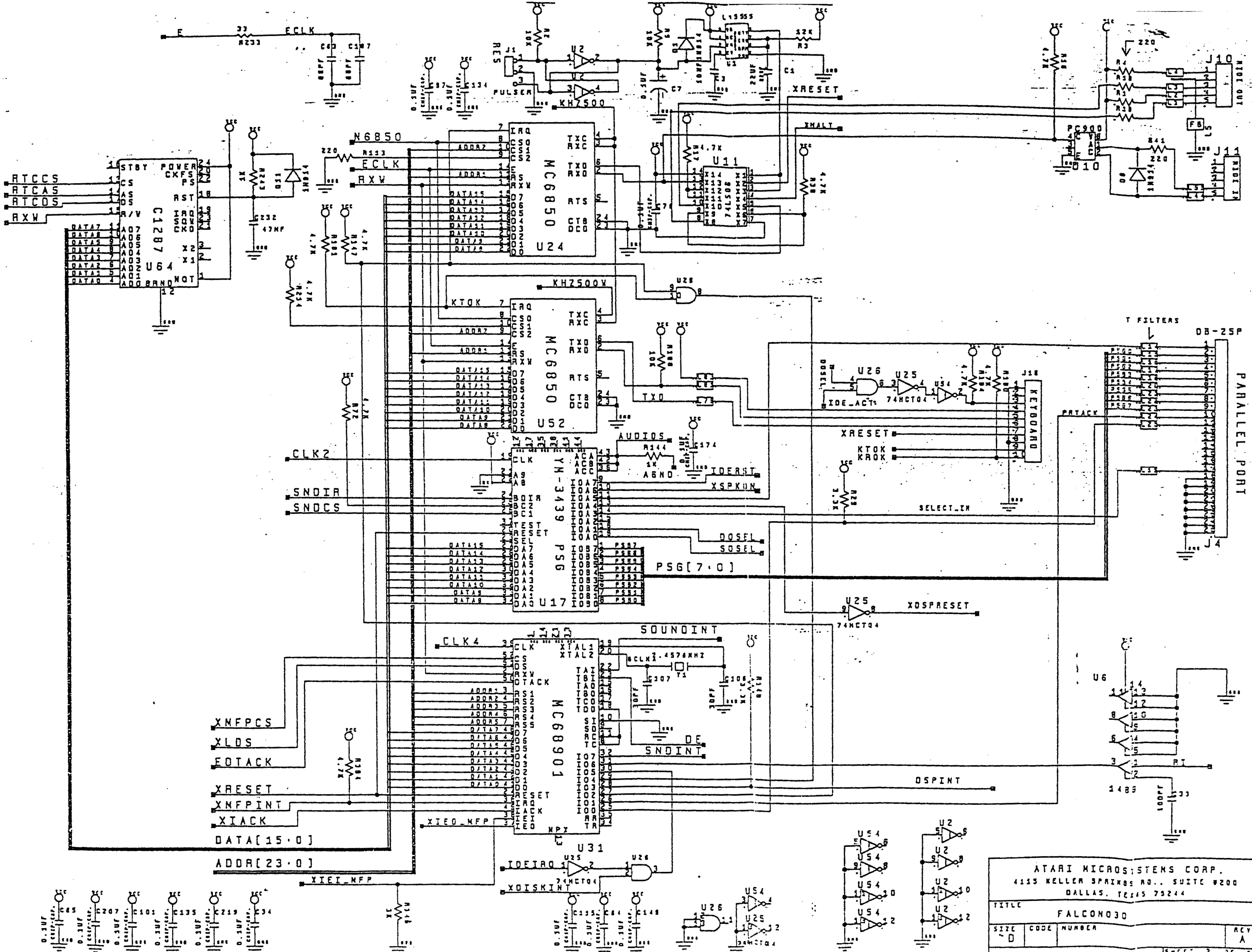


REVISIONS	DESCRIPTION	DATE	APPROVED

DRAWN BY TRH	DATE 8-28-1982	ATARI MICROSYSTEMS CORP. 4315 KELLER SPRINGS RD., SUITE #200 DALLAS, TEXAS 75244
CHECKED	DATE	
ENGINEER	DATE	TITLE FALCON 030
APPROVED	DATE	SICR EOD NUMBER
TEST ASSEMBLY APPLICATION	APPROVED DATE	REV A

40PCART

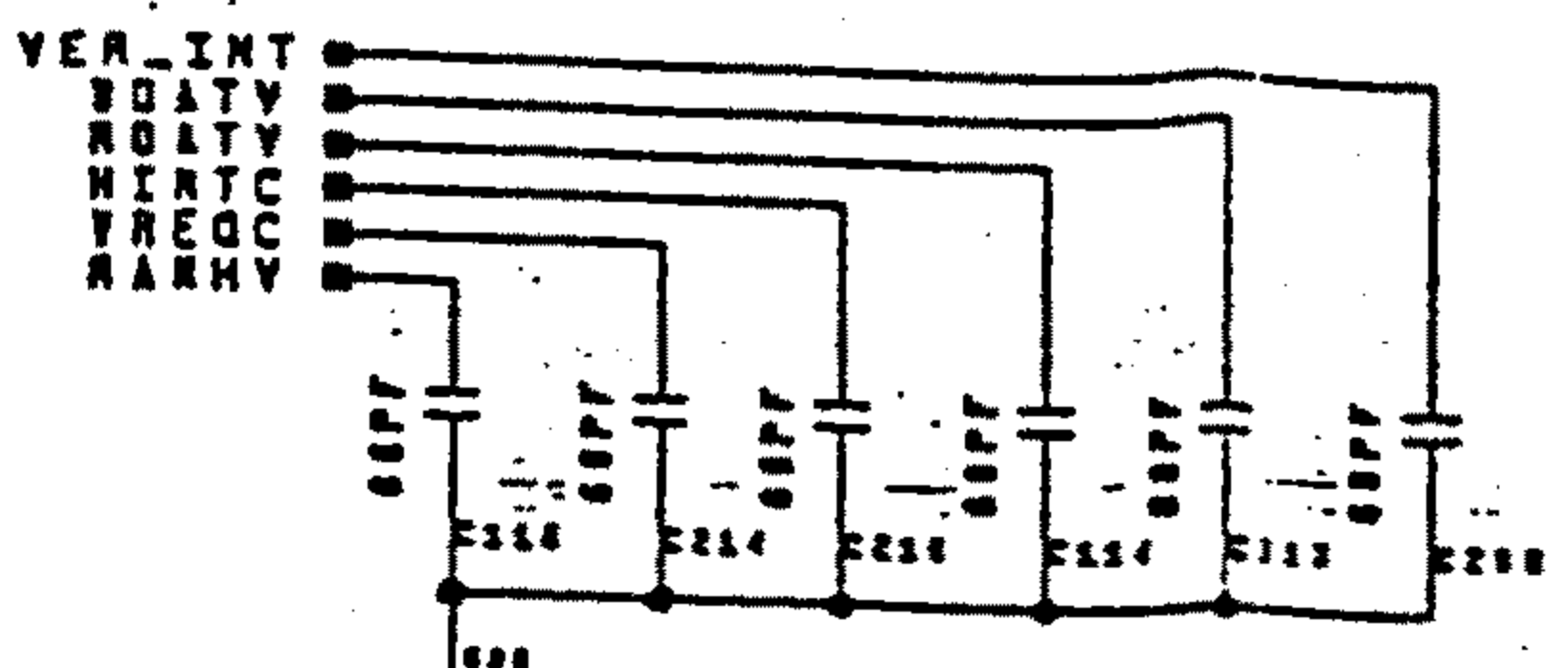


ATARI MICROSYSTEMS CORP.
 4115 KELLER SPRINGS RD., SUITE #200
 DALLAS, TEXAS 75244

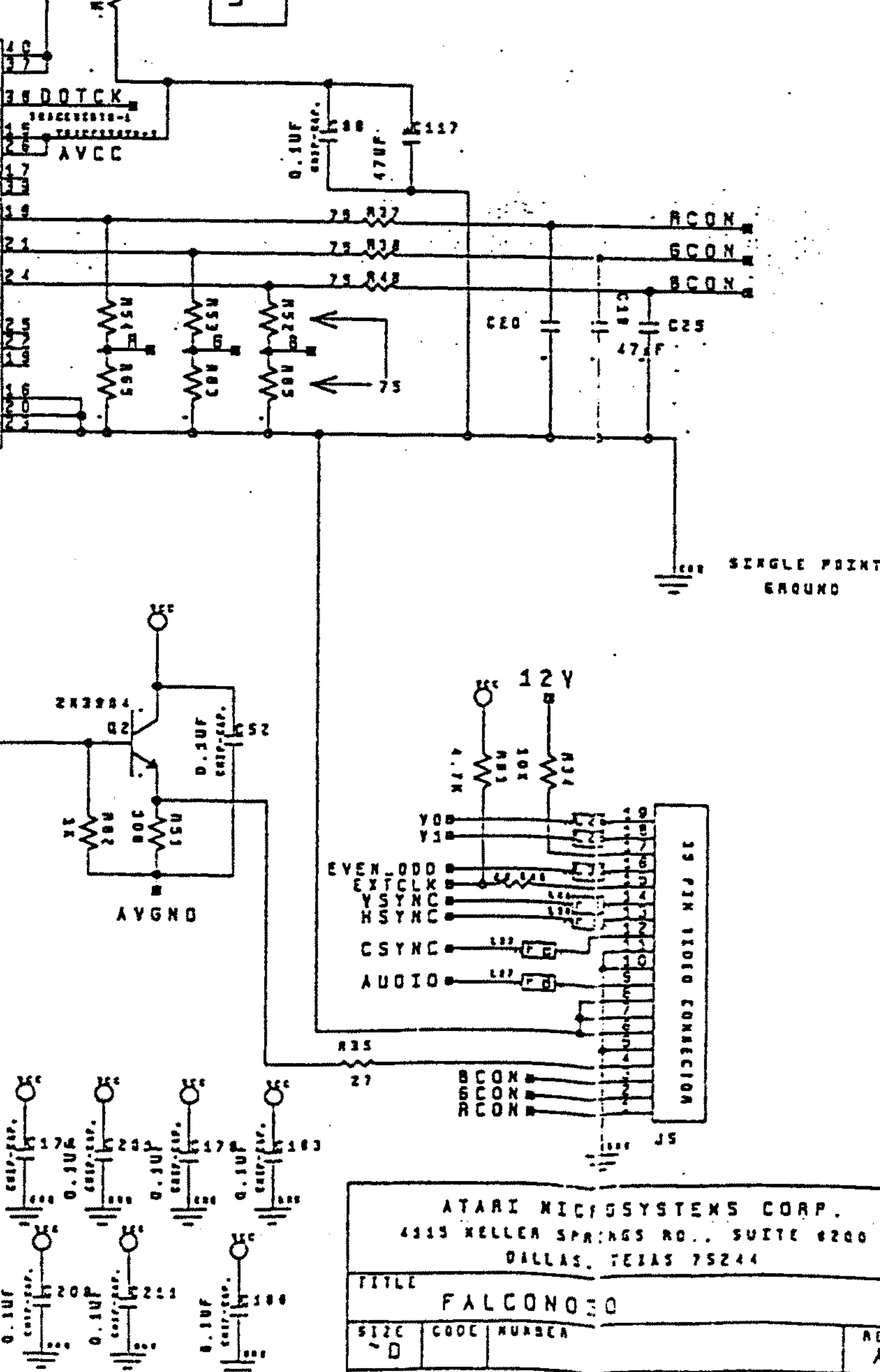
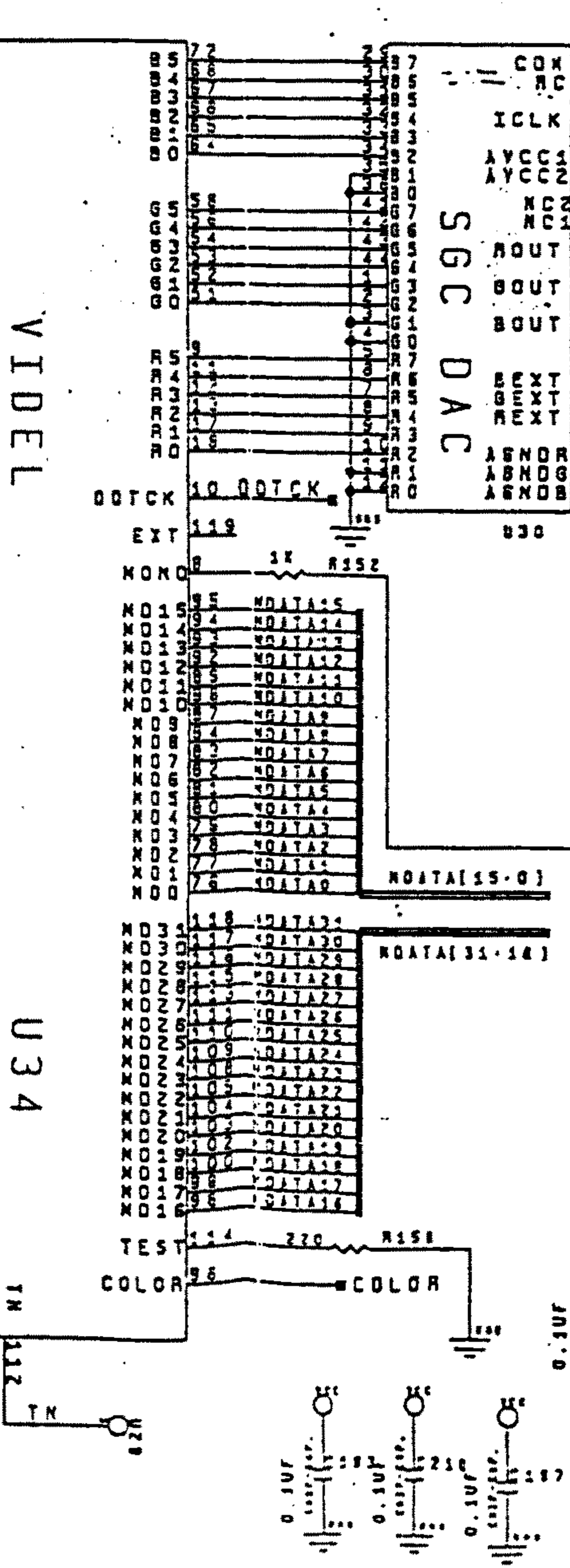
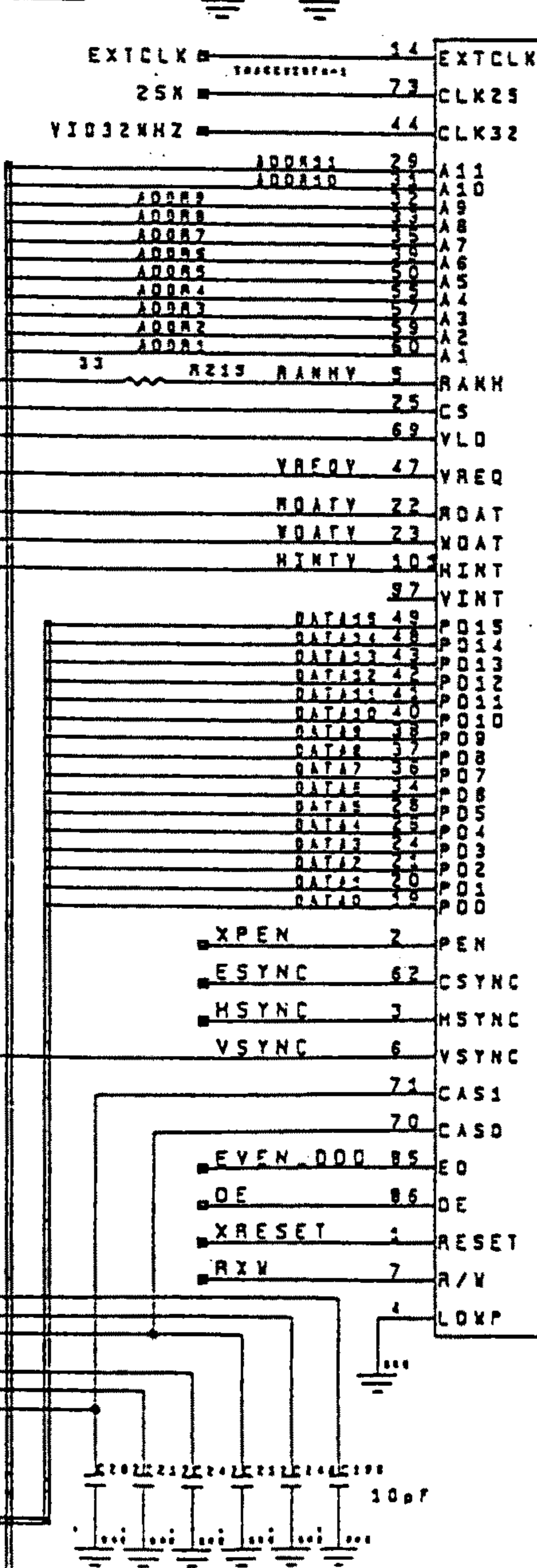
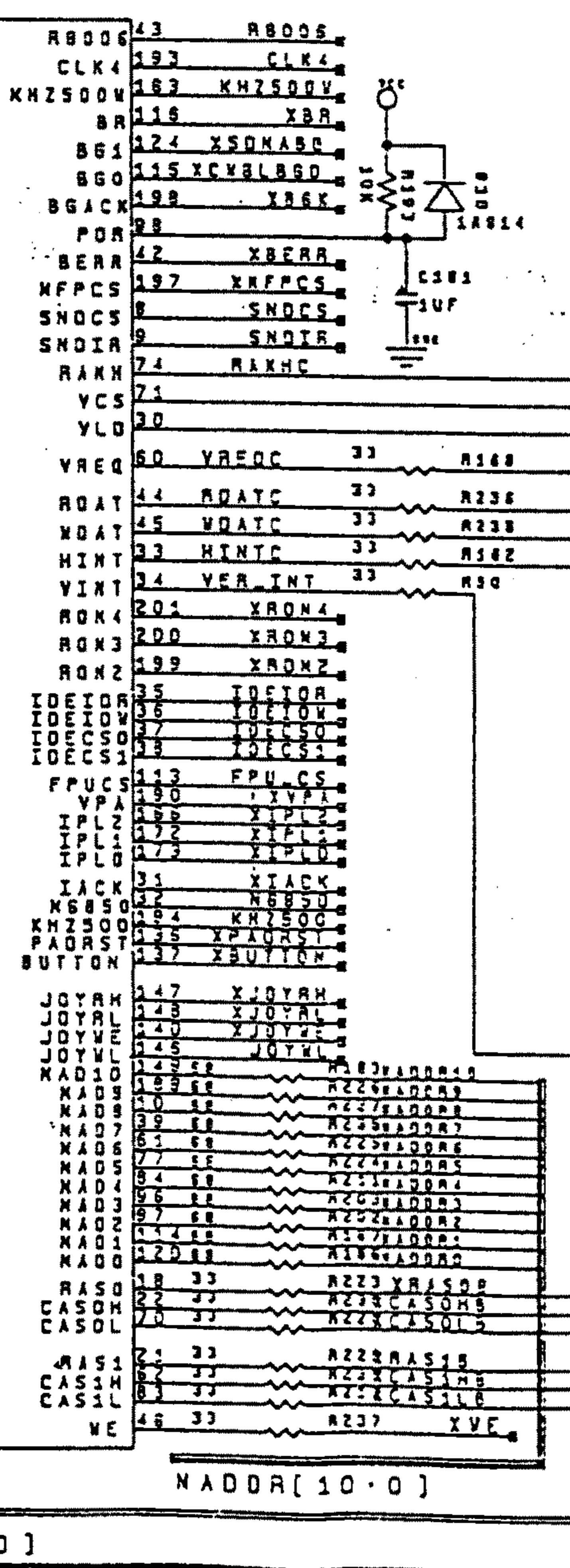
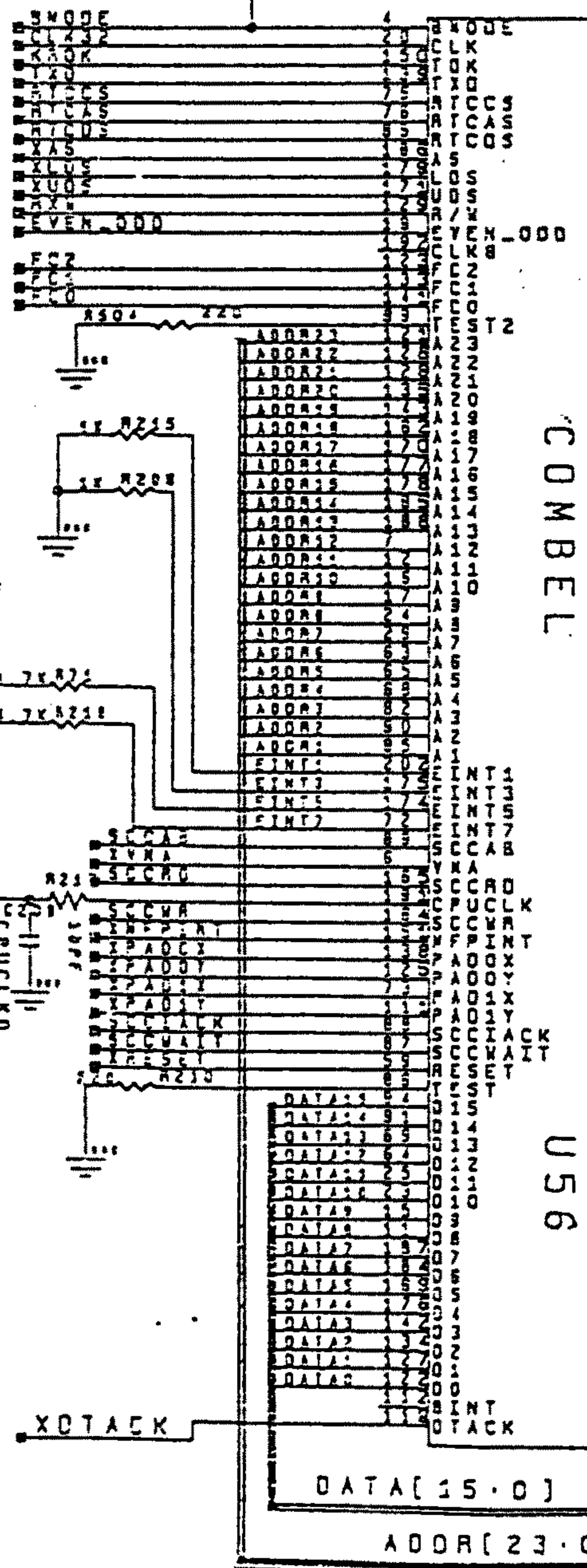
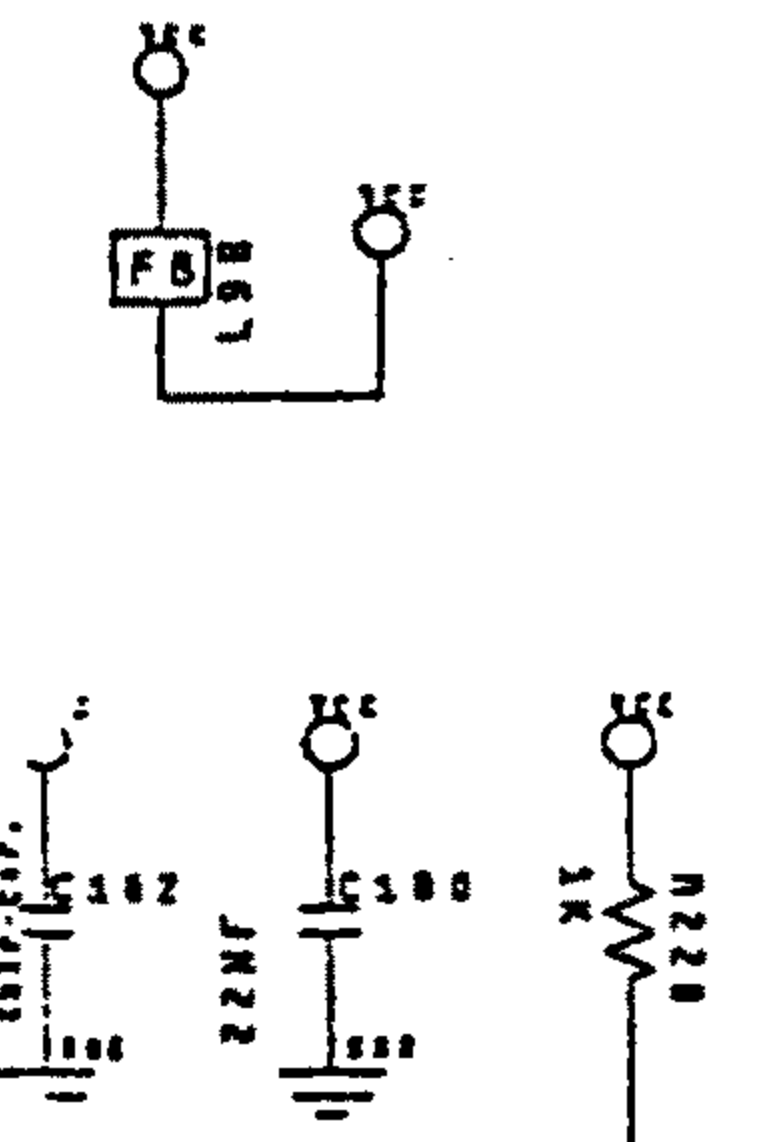
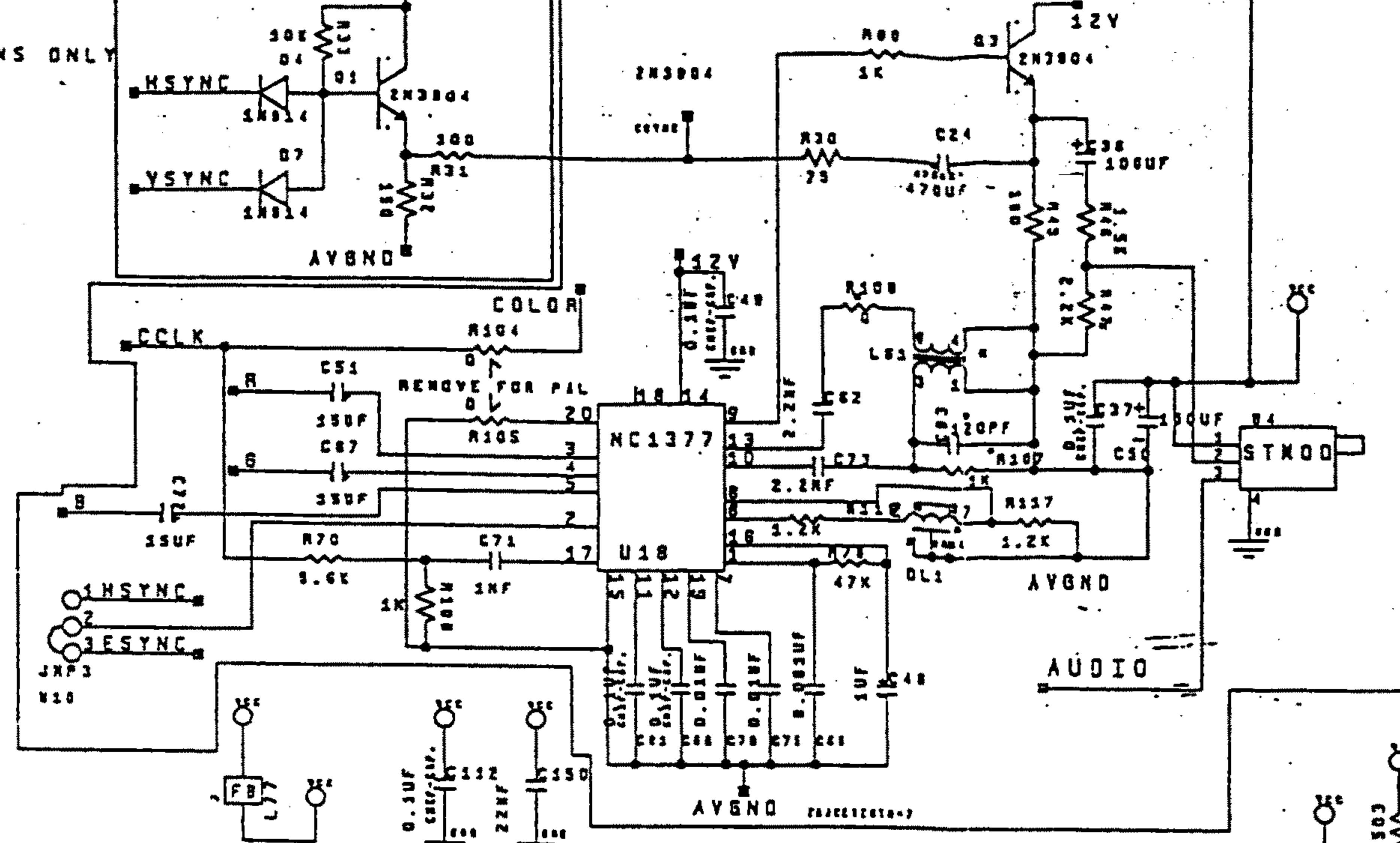
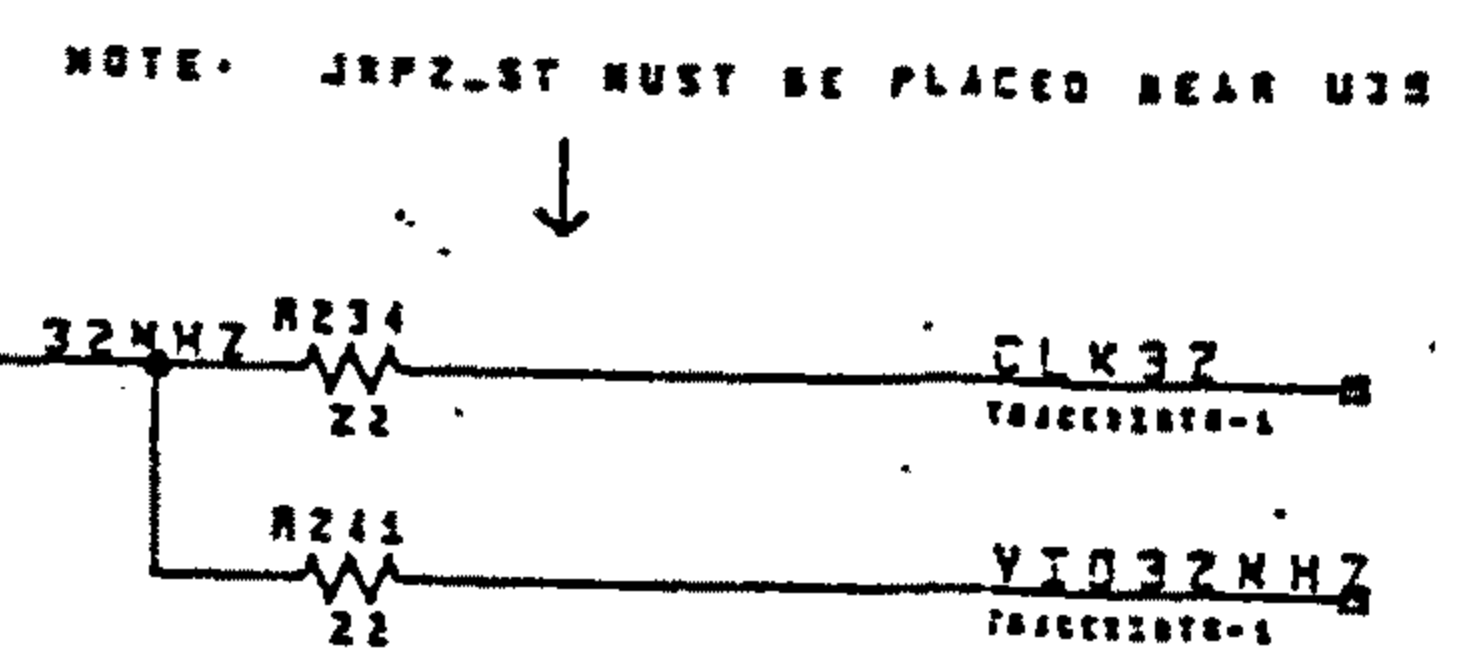
TITLE	FALCON030		
SIZE	CODE	NUMBER	REV
0			A

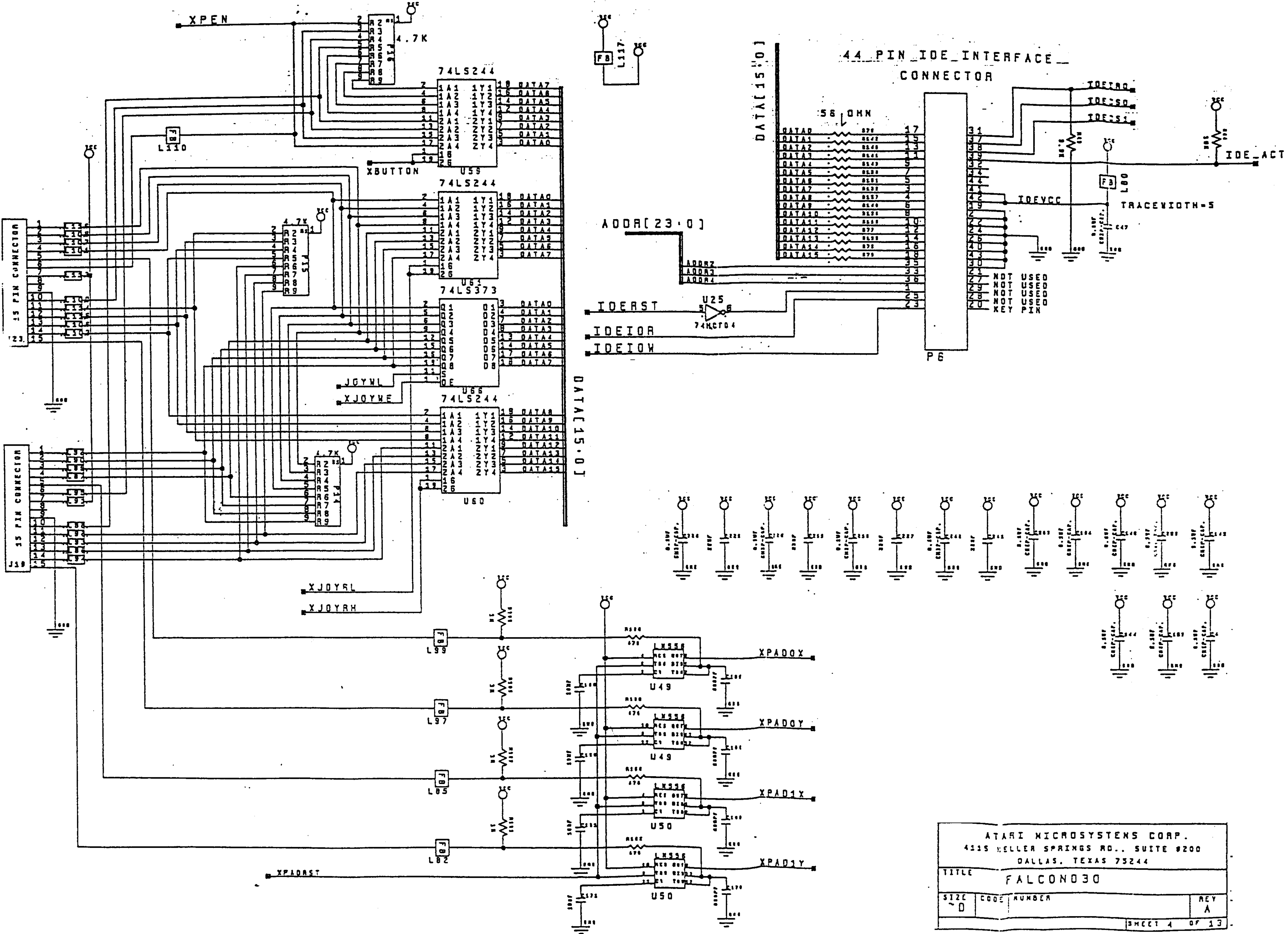
SHEET 2 OF 13

FOR NON MODULATOR SYSTEMS ONLY



REQUIRES VALUE CHANGE FOR PAL
FOR MODULATOR SYSTEMS ONLY

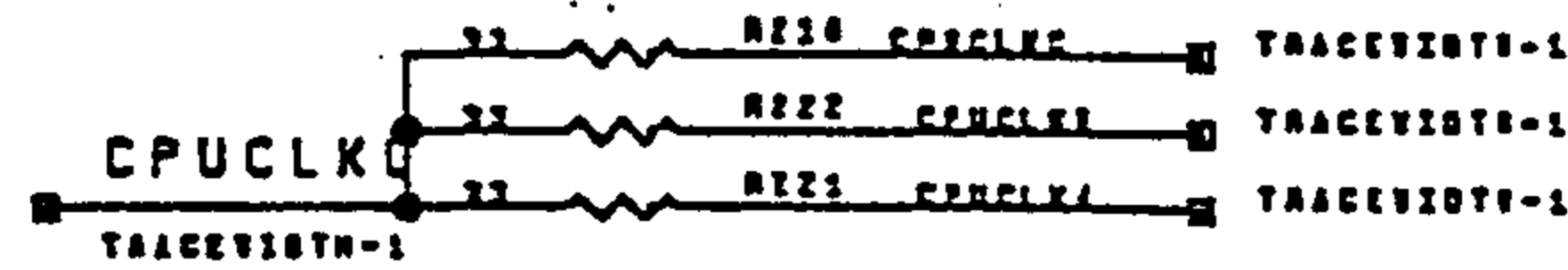




ATARI MICROSYSTEMS CORP.			
4335 MELLER SPRINGS RD., SUITE #200			
DALLAS, TEXAS 75244			
TITLE		FALCON030	
SIZE	CODE	NUMBER	REV
0			A
			SHEET 4 OF 13

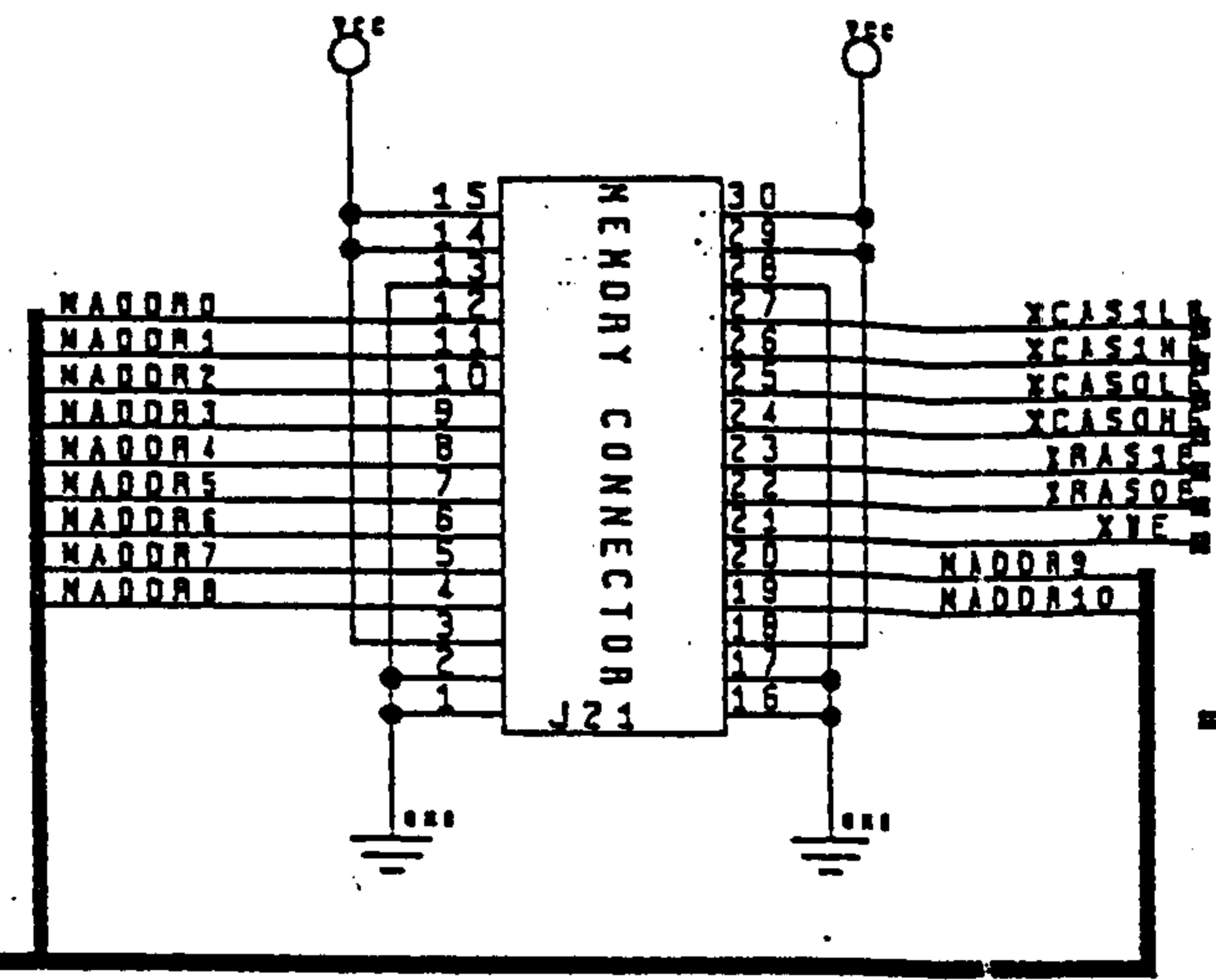
ATARI MICROSYSTEMS CORP.
 4115 KELLER SPRINGS RD., SUITE #200
 DALLAS, TEXAS 75244

TITLE			
FALCON030			
SIZE	CODE	NUMBER	RE
D			A
			SHEET 5 OF 5

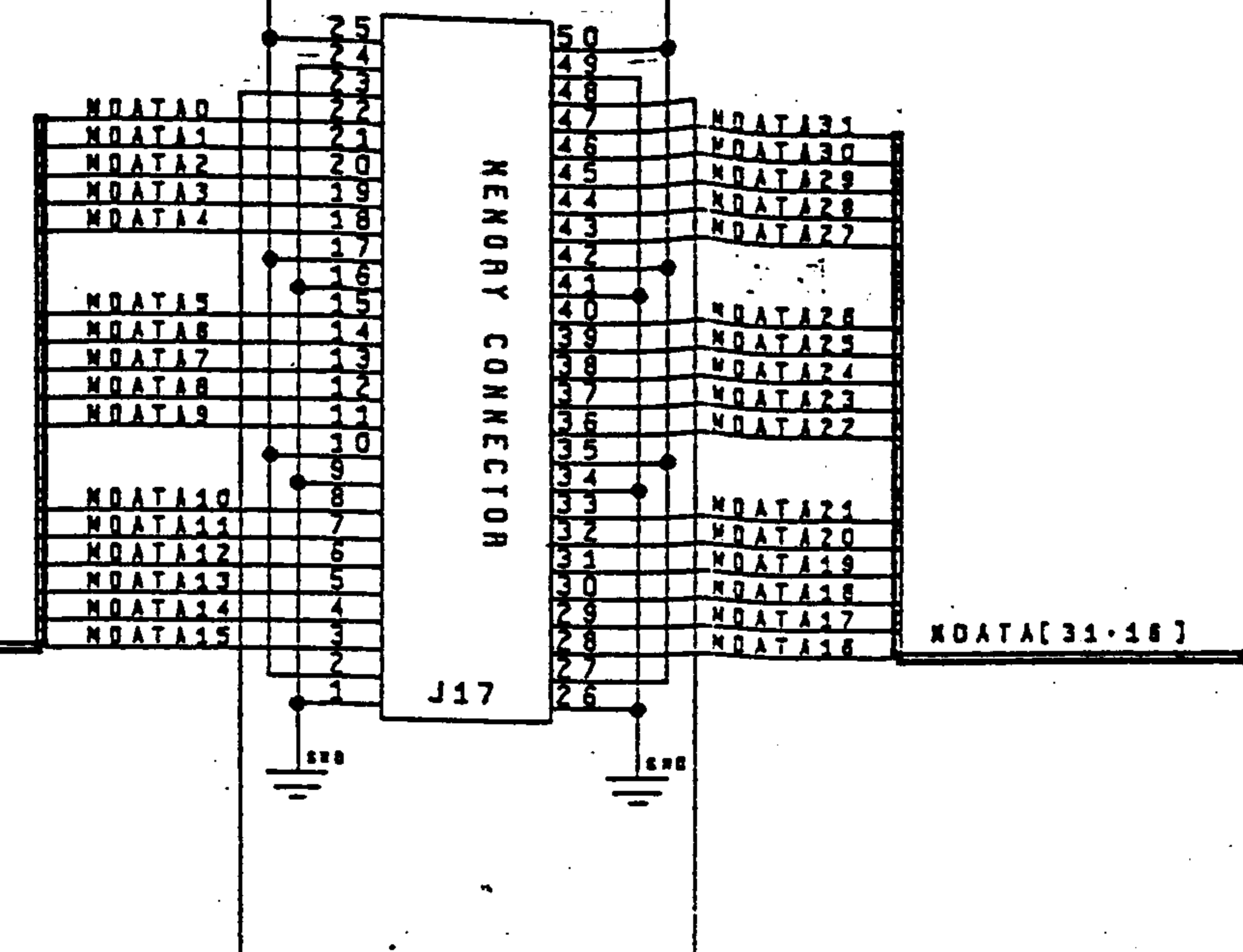


MADDR[10-0]

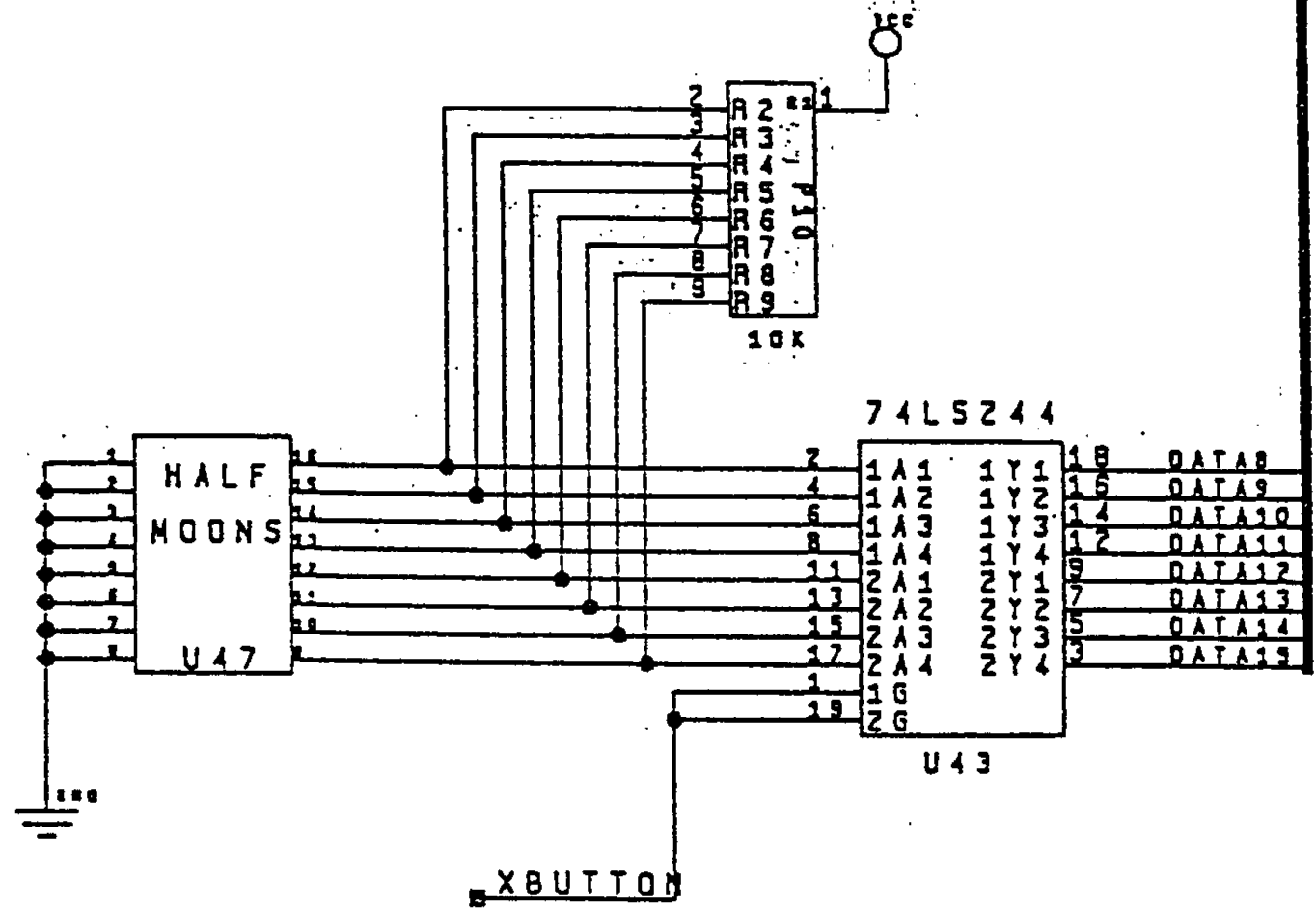
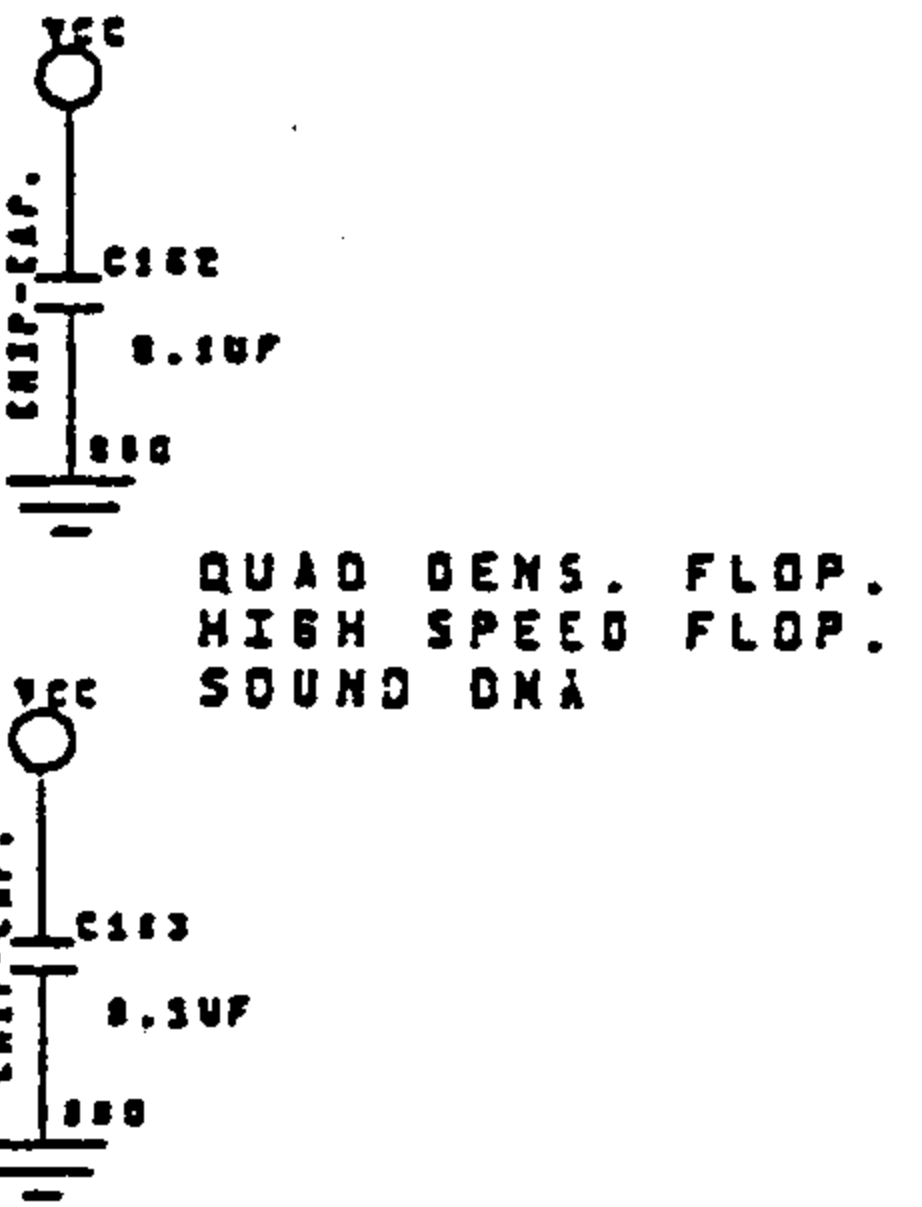
DATA[15-0]



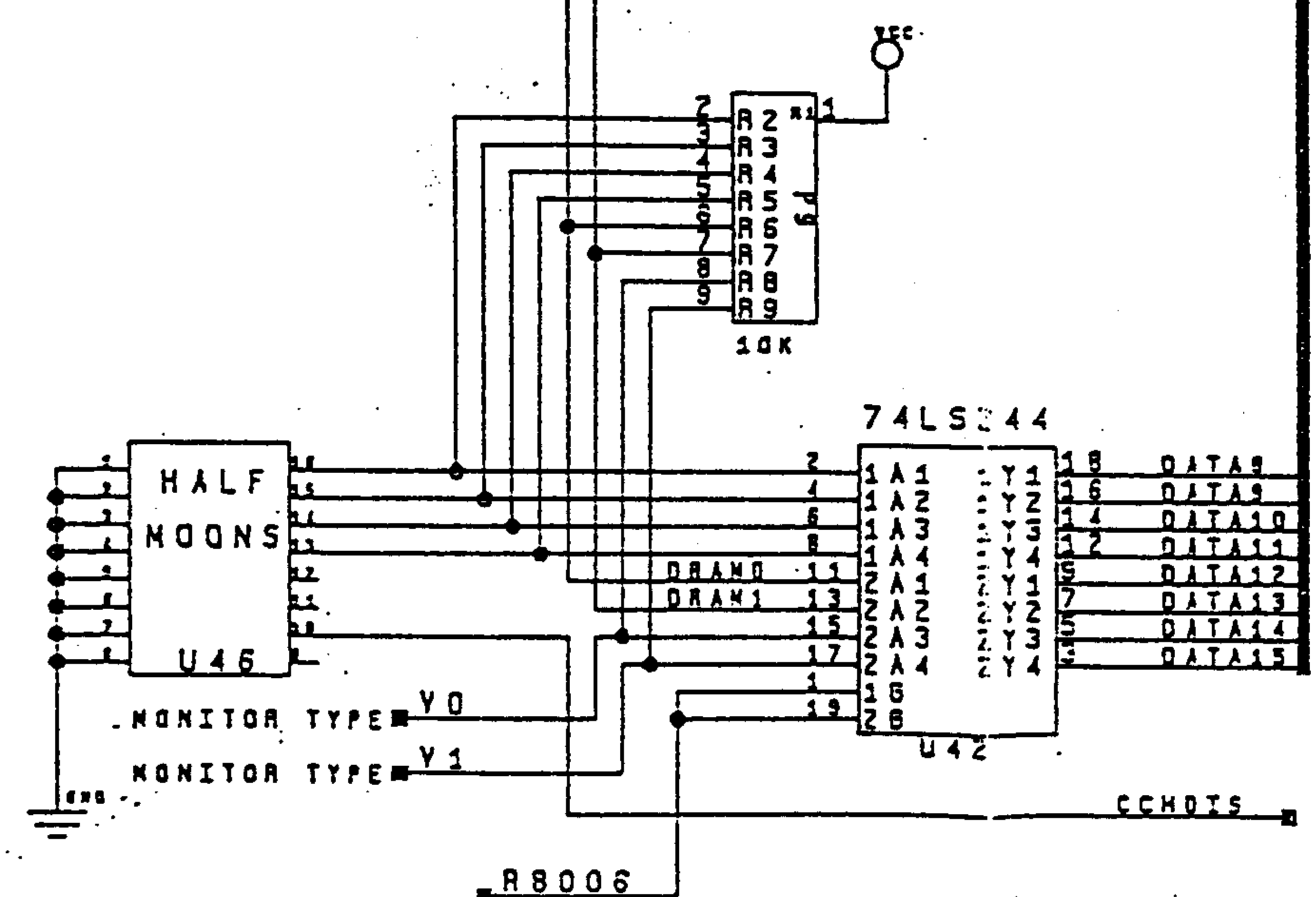
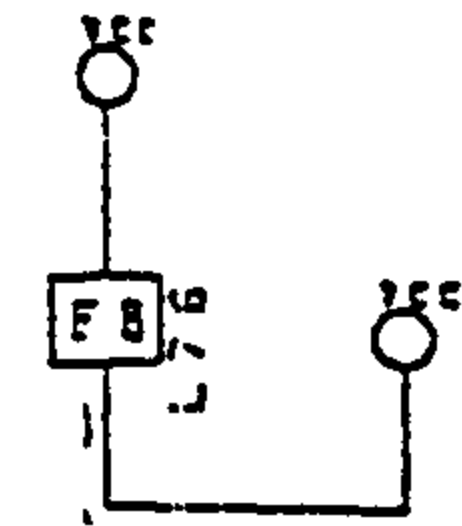
NOATA[15-0]



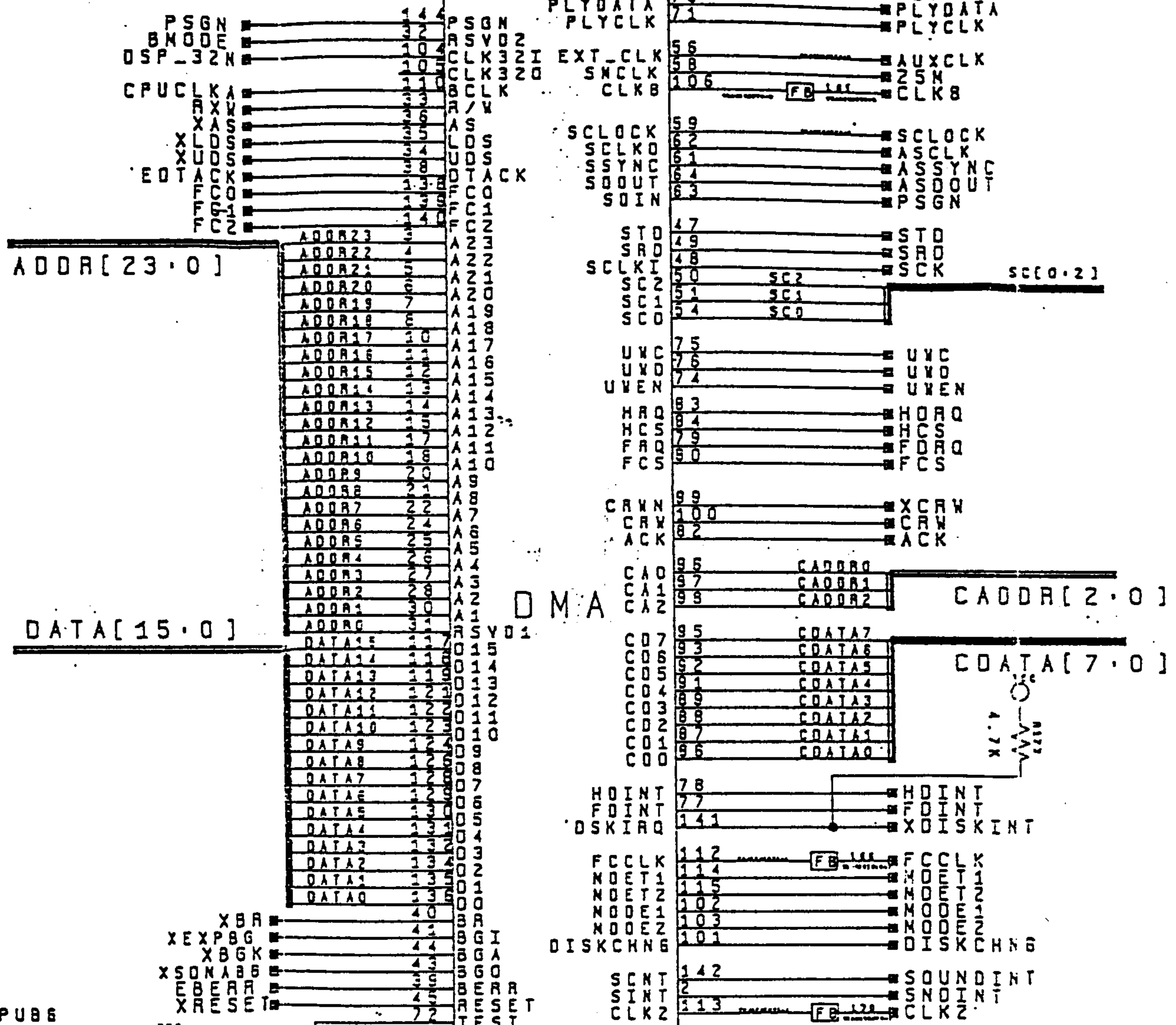
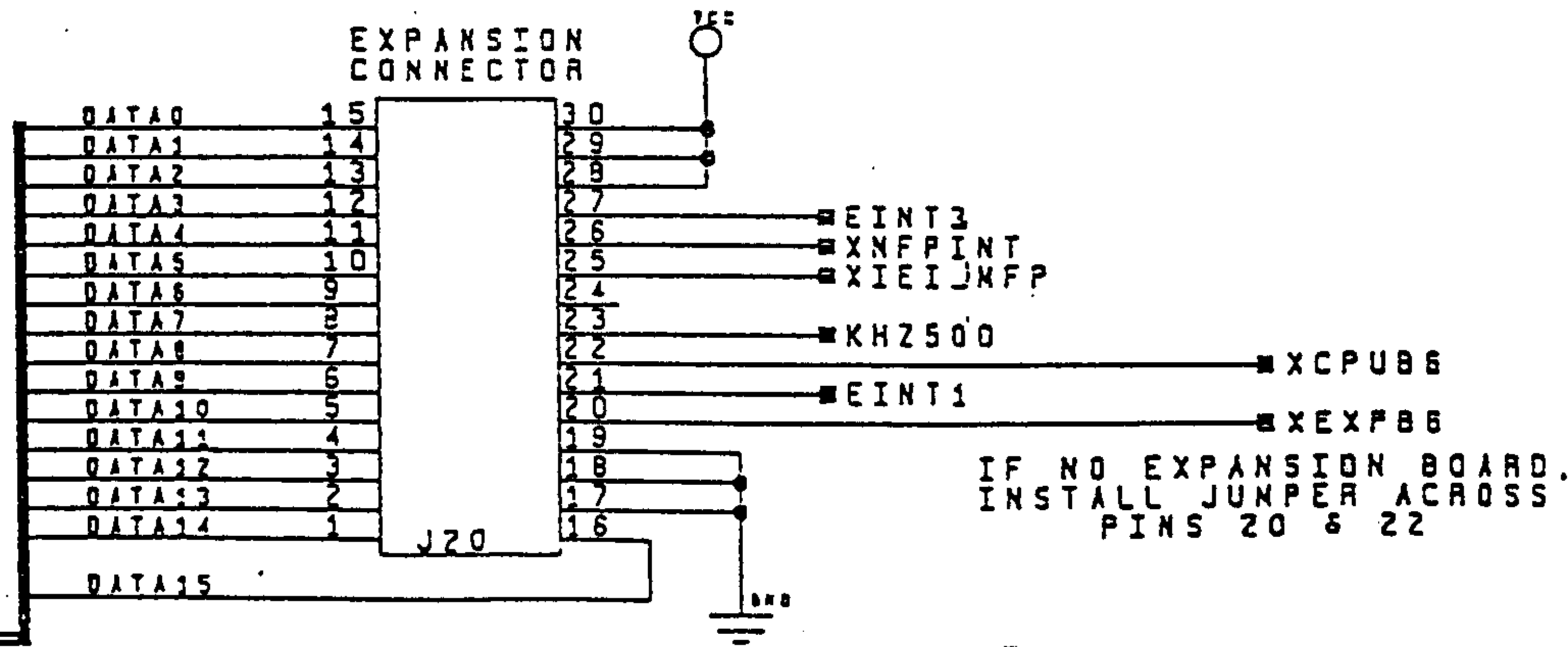
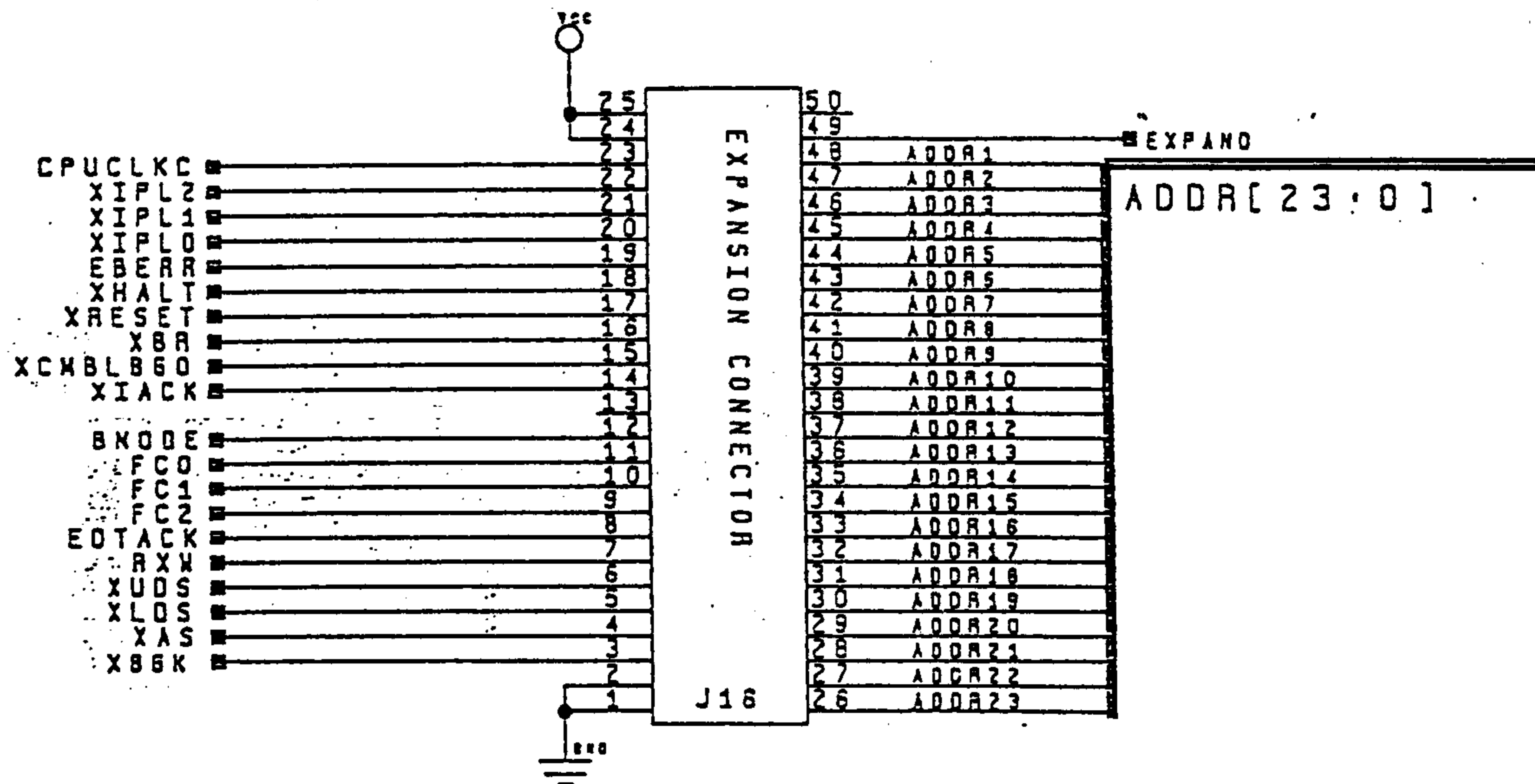
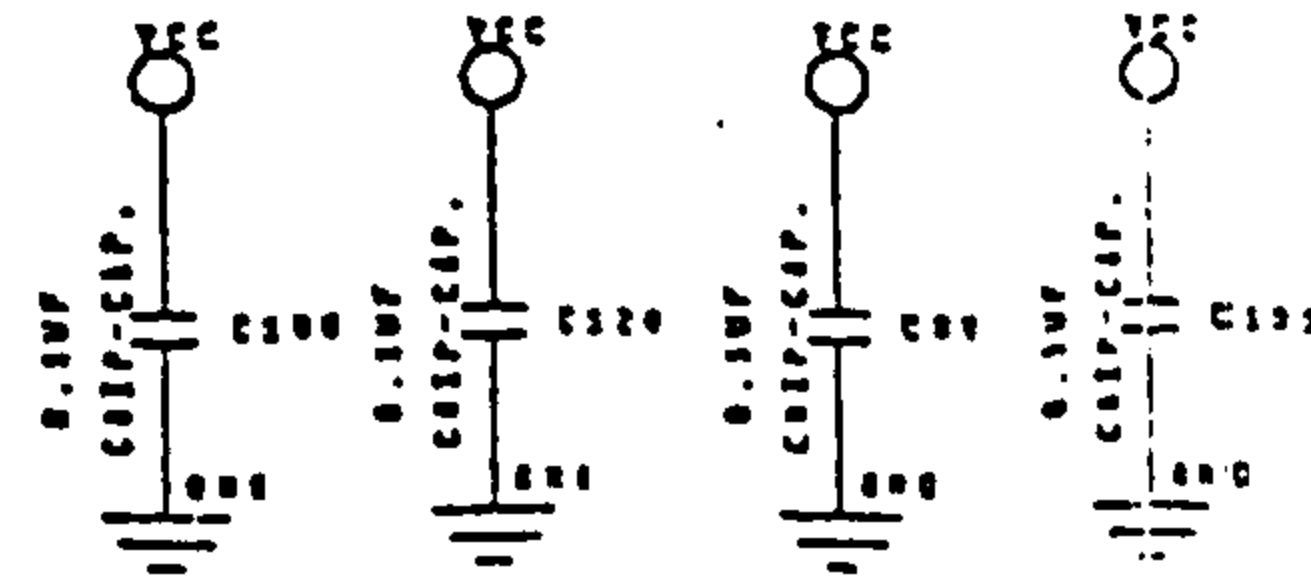
NOATA[31-16]



MAN WAIT STATE
 16/32 VIDEO BUS
 RON WAIT STATE
 RON WAIT STATE
 DRAM TYPE
 DRAM TYPE



CCHOTS

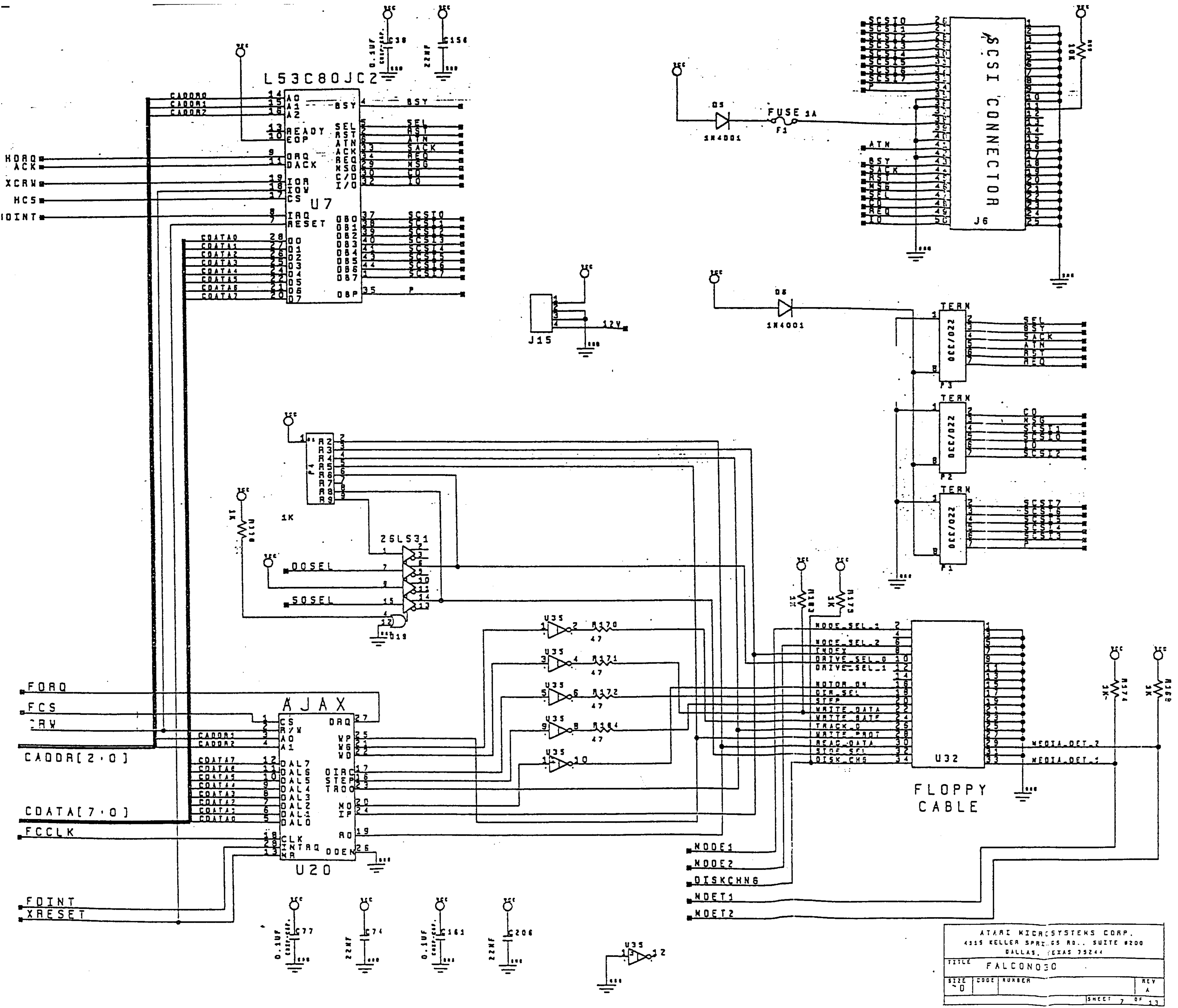


ATARI MICROSYSTEMS CORP.
 4115 KELLER SPRINGS RD., SUITE #200
 DALLAS, TEXAS 75244

TITLE **FALCON030**

SIZE	CODE	NUMBER	REV
D			

SHEET 6 OF

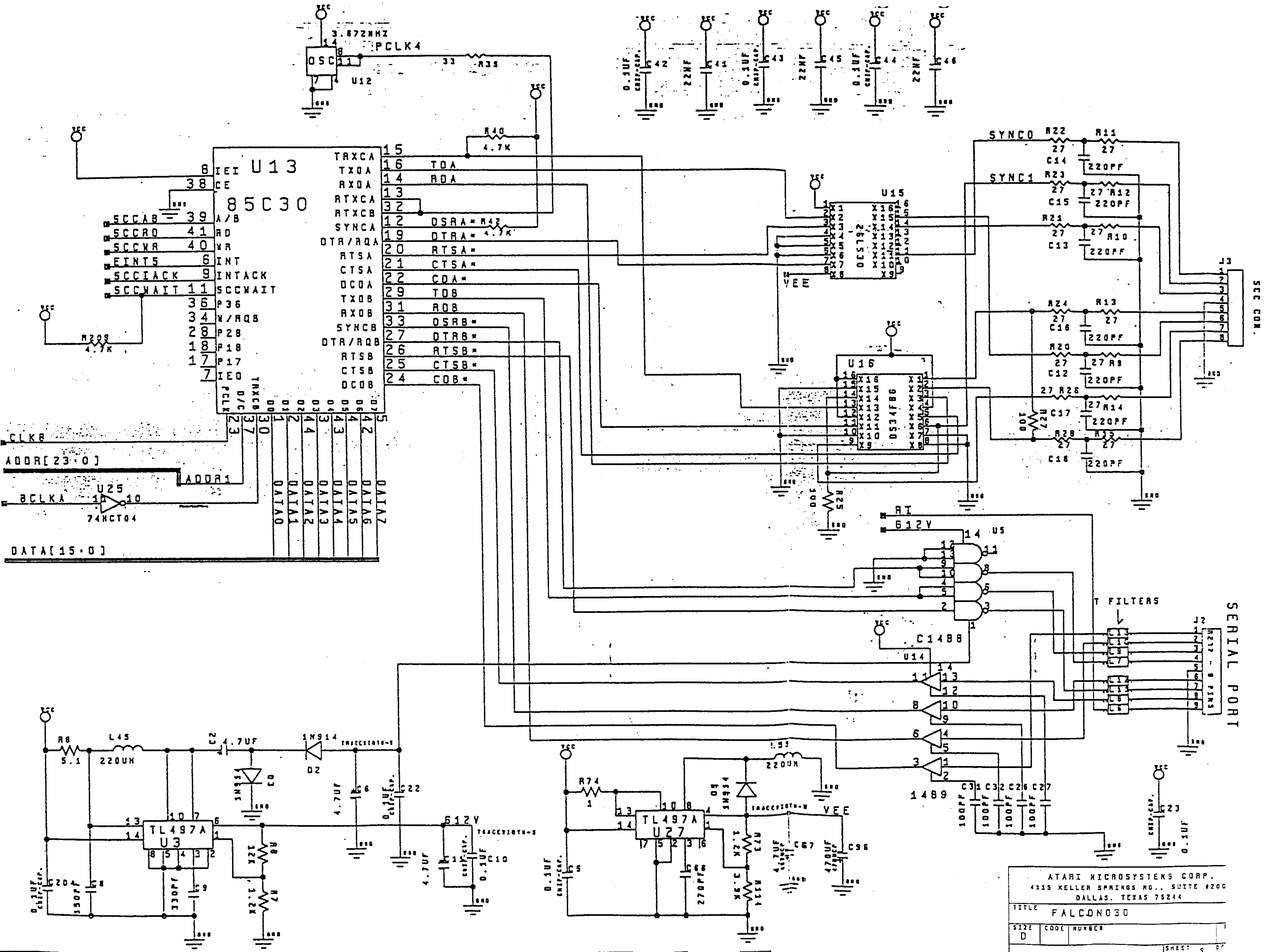


ATARI MICROSYSTEMS CORP.
 4115 KELLER SPRINGS RD., SUITE #200
 DALLAS, TEXAS 75244

TITLE FALCON030

SIZE	CODE	NUMBER	REV
0			A

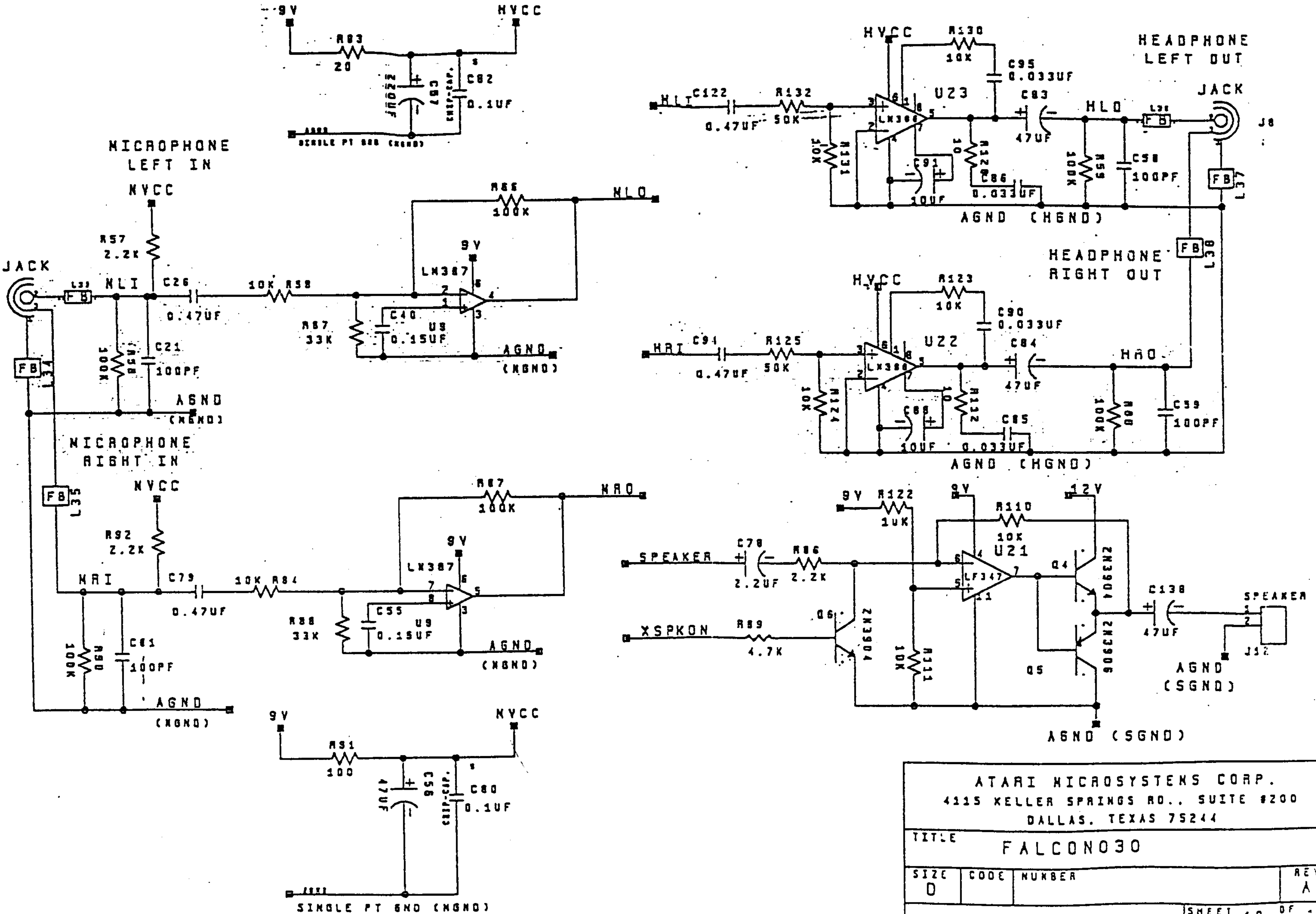
SHEET 7 OF 13



ATARI MICROSYSTEMS CORP.
 4115 KELLER SPRINGS RD., SUITE #200
 DALLAS, TEXAS 75244

TITLE	FALCON030
SIZE	CODE NUMBER
D	

SHEET 5 OF 5

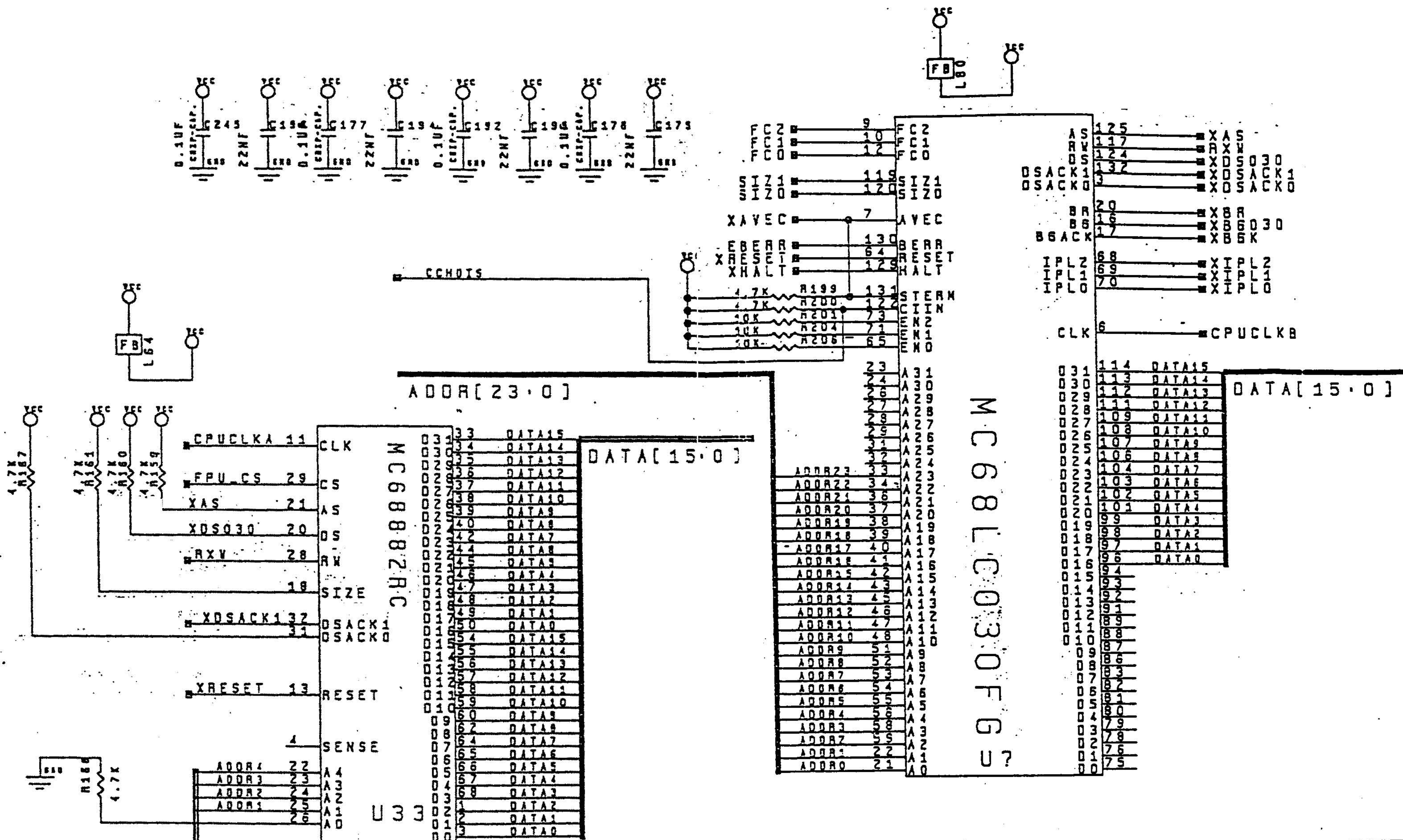


ATARI MICROSYSTEMS CORP.
 4115 KELLER SPRINGS RD., SUITE #200
 DALLAS, TEXAS 75244

TITLE **FALCON030**

SIZE D	CODE	NUMBER	REV A
-----------	------	--------	----------

SHEET 10 OF 1

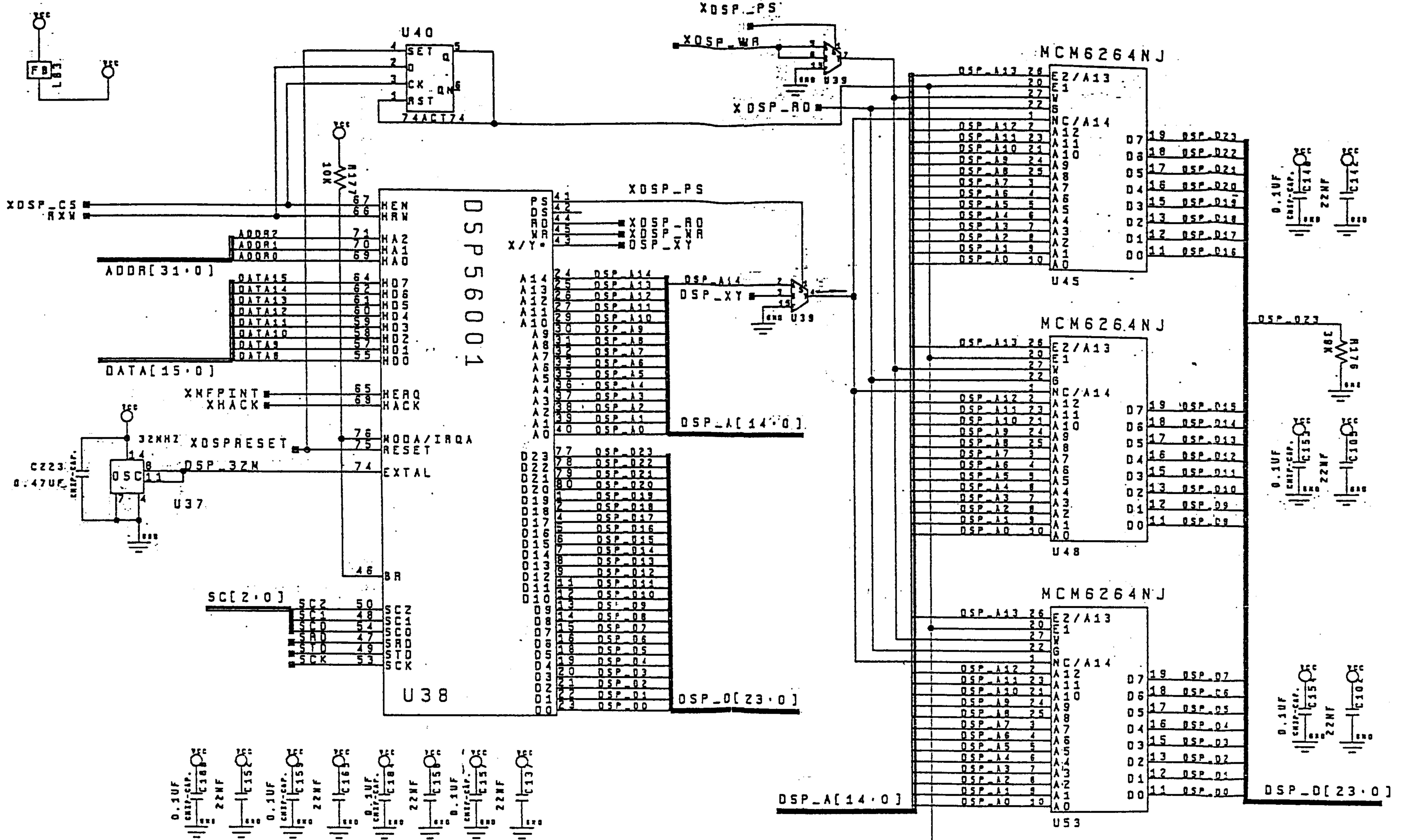


ATARI MICROSYSTEMS CORP.
 4115 KELLER SPRINGS RD., SUITE #200
 DALLAS, TEXAS 75244

TITLE FALCON030

SIZE	CODE	NUMBER	RE
D			A

SHEET 1 OF 1

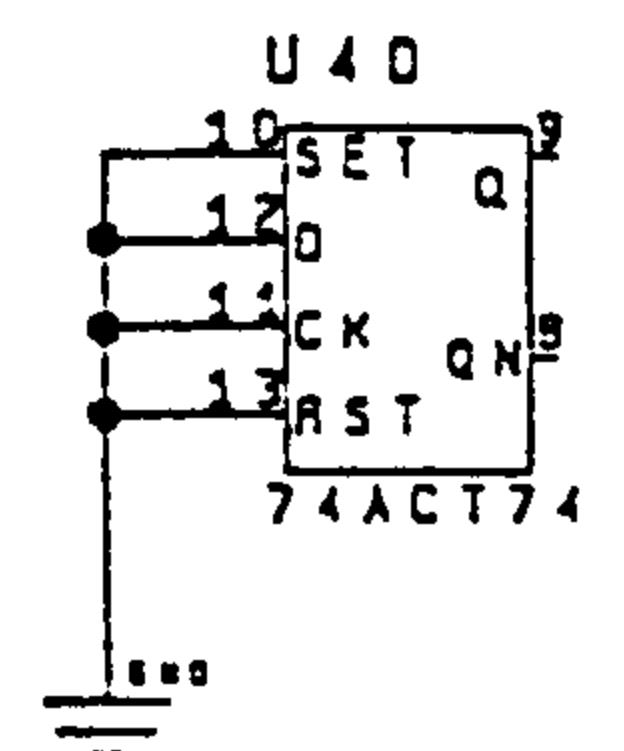
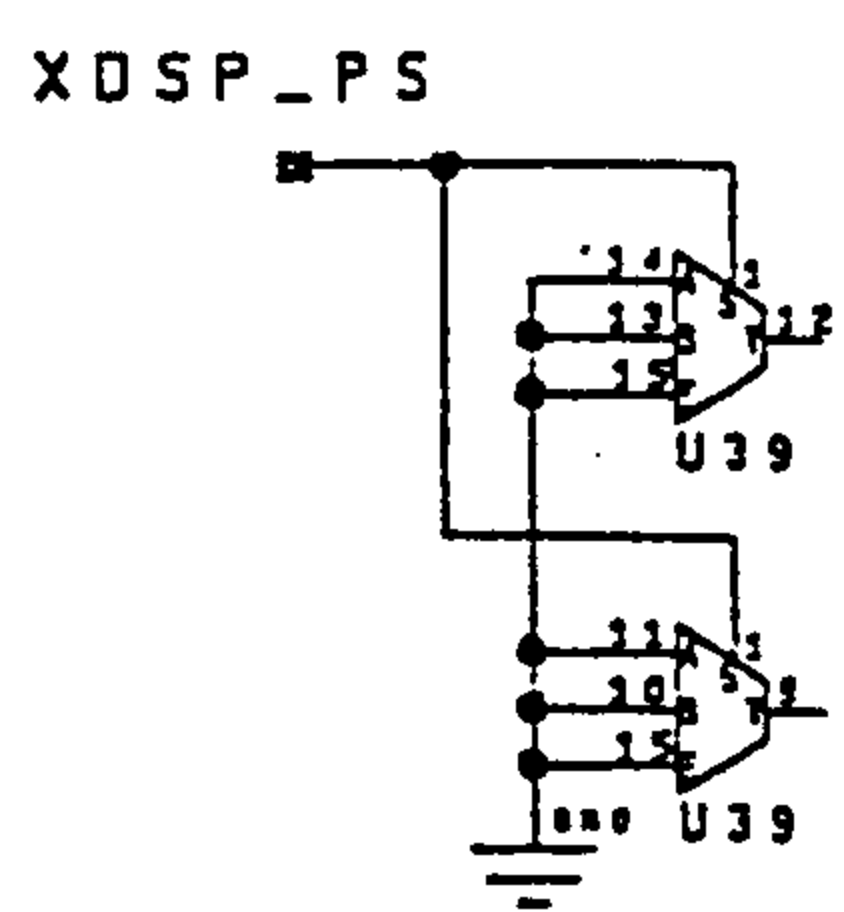


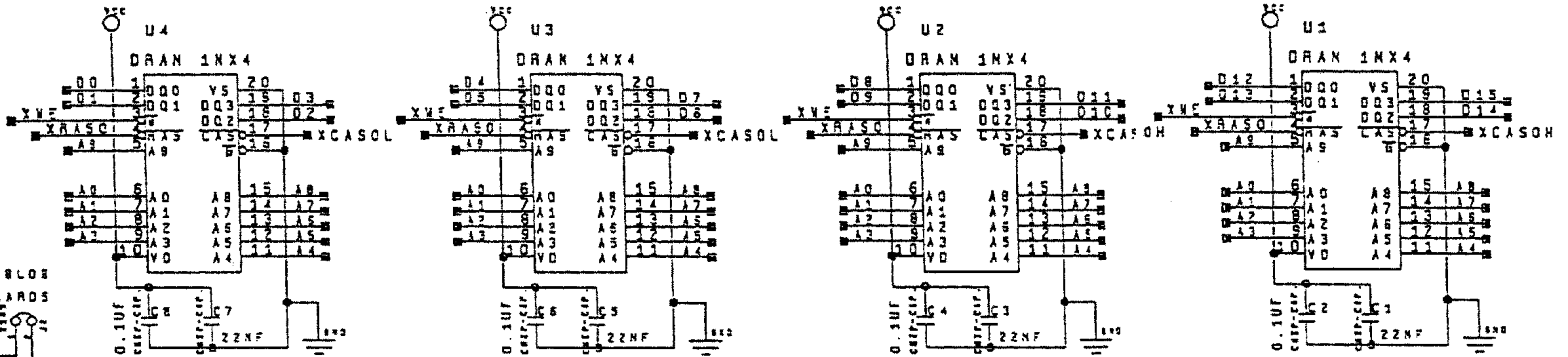
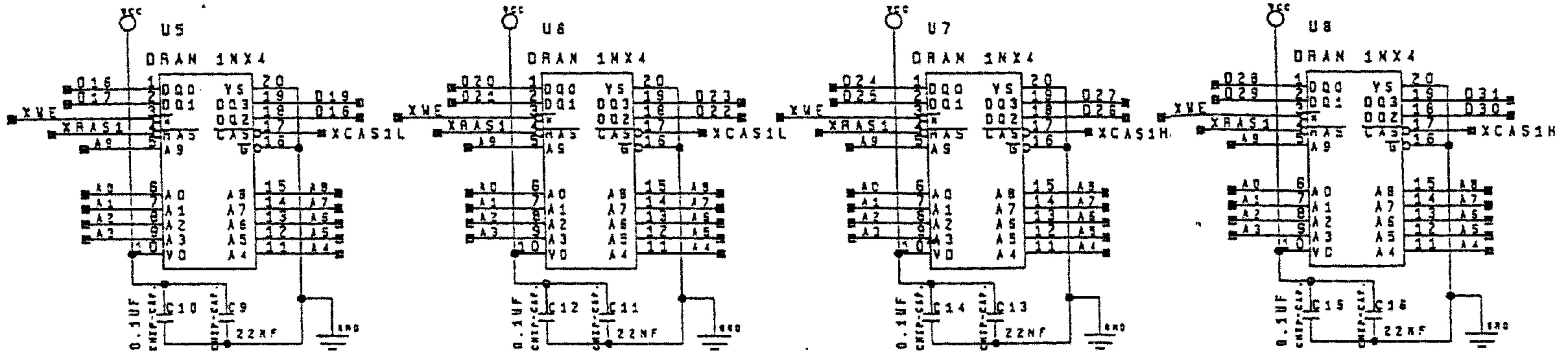
ATARI MICROSYSTEMS CORP.
 4115 KELLER SPRINGS RD., SUITE #200
 DALLAS, TEXAS 75244

TITLE **FALCON030**

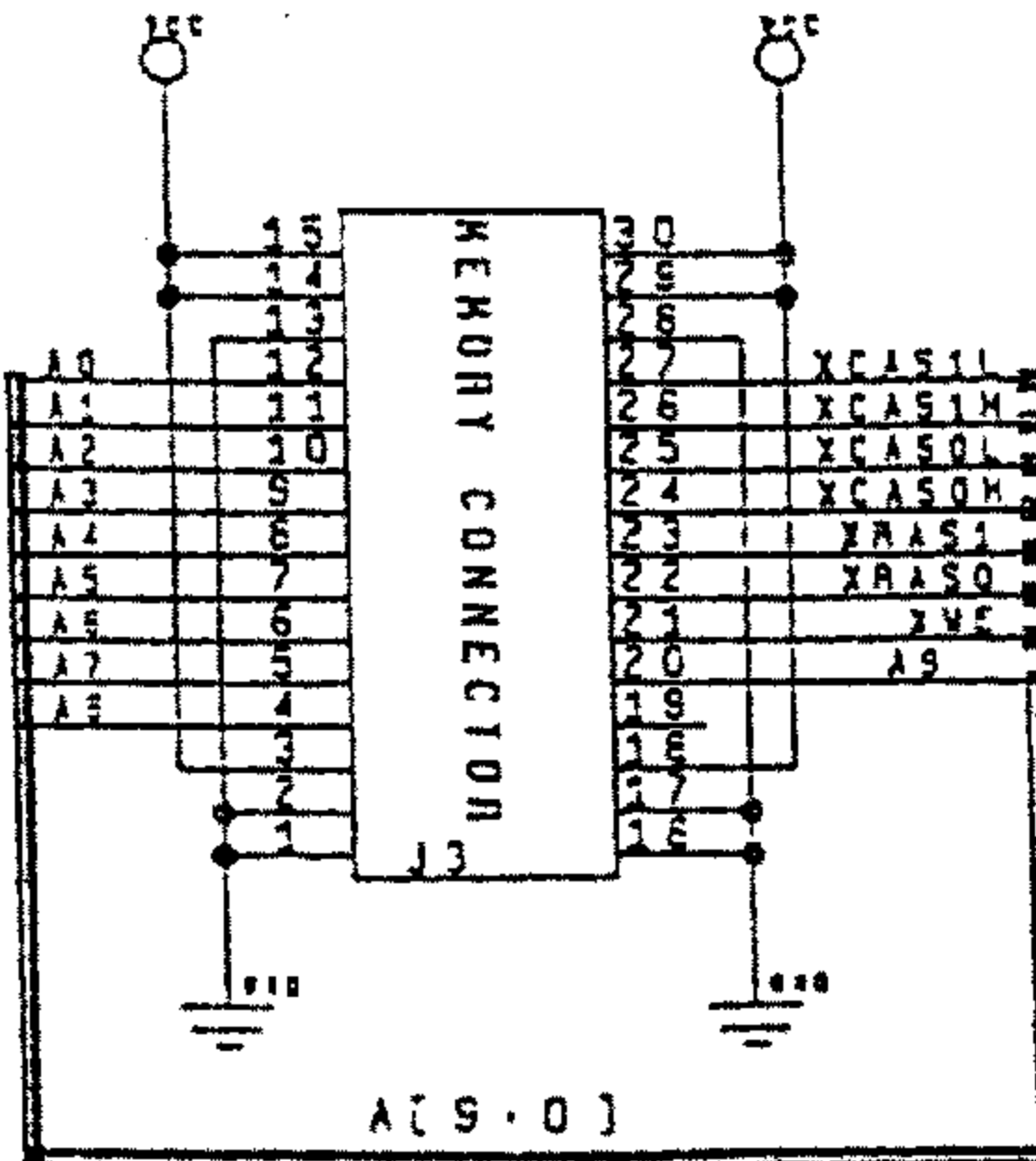
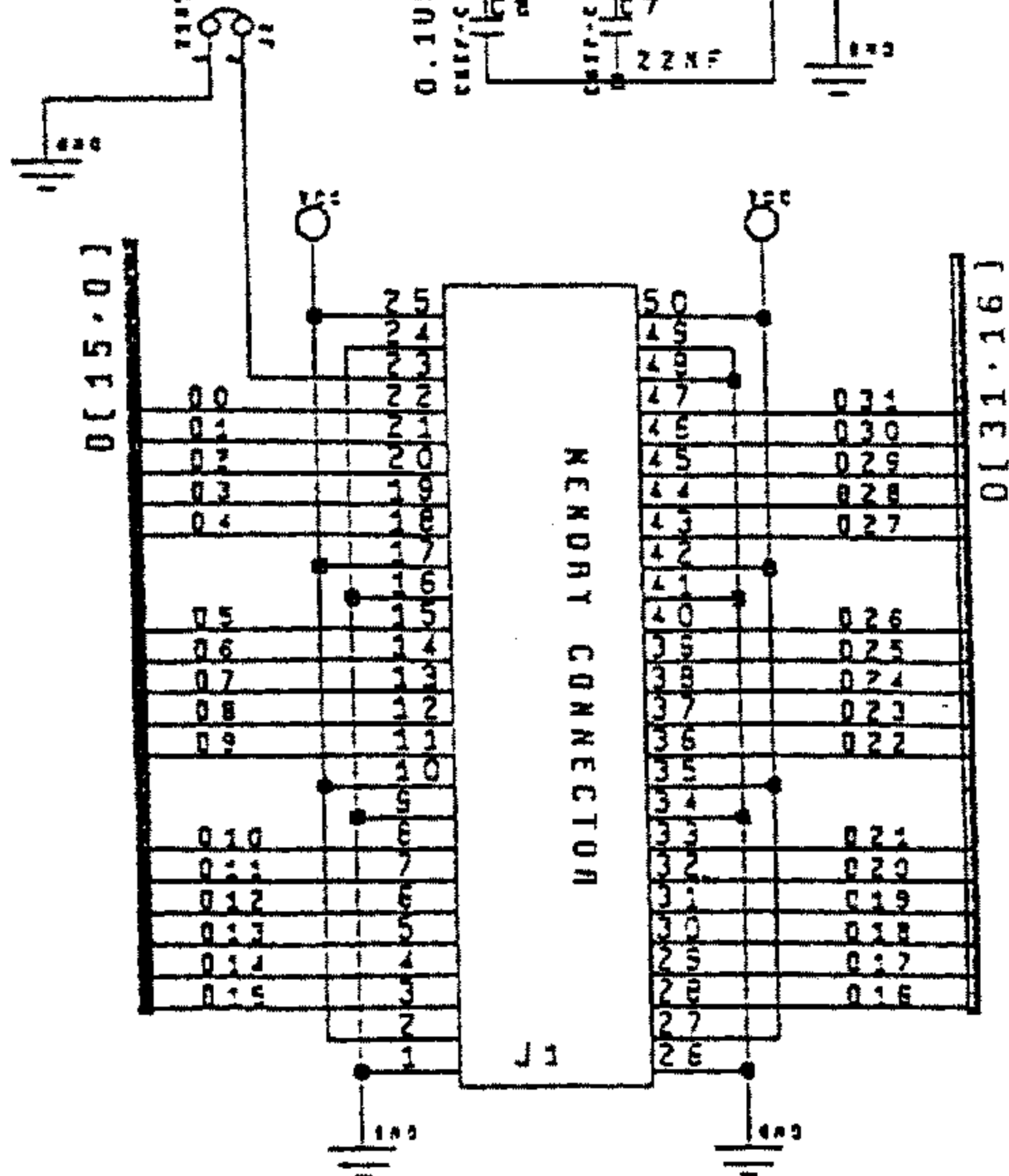
SIZE	CODE	NUMBER	A
D			

SHEET 13 OF 14





ADD SOLDER BLOB FOR 1MEG BOARDS

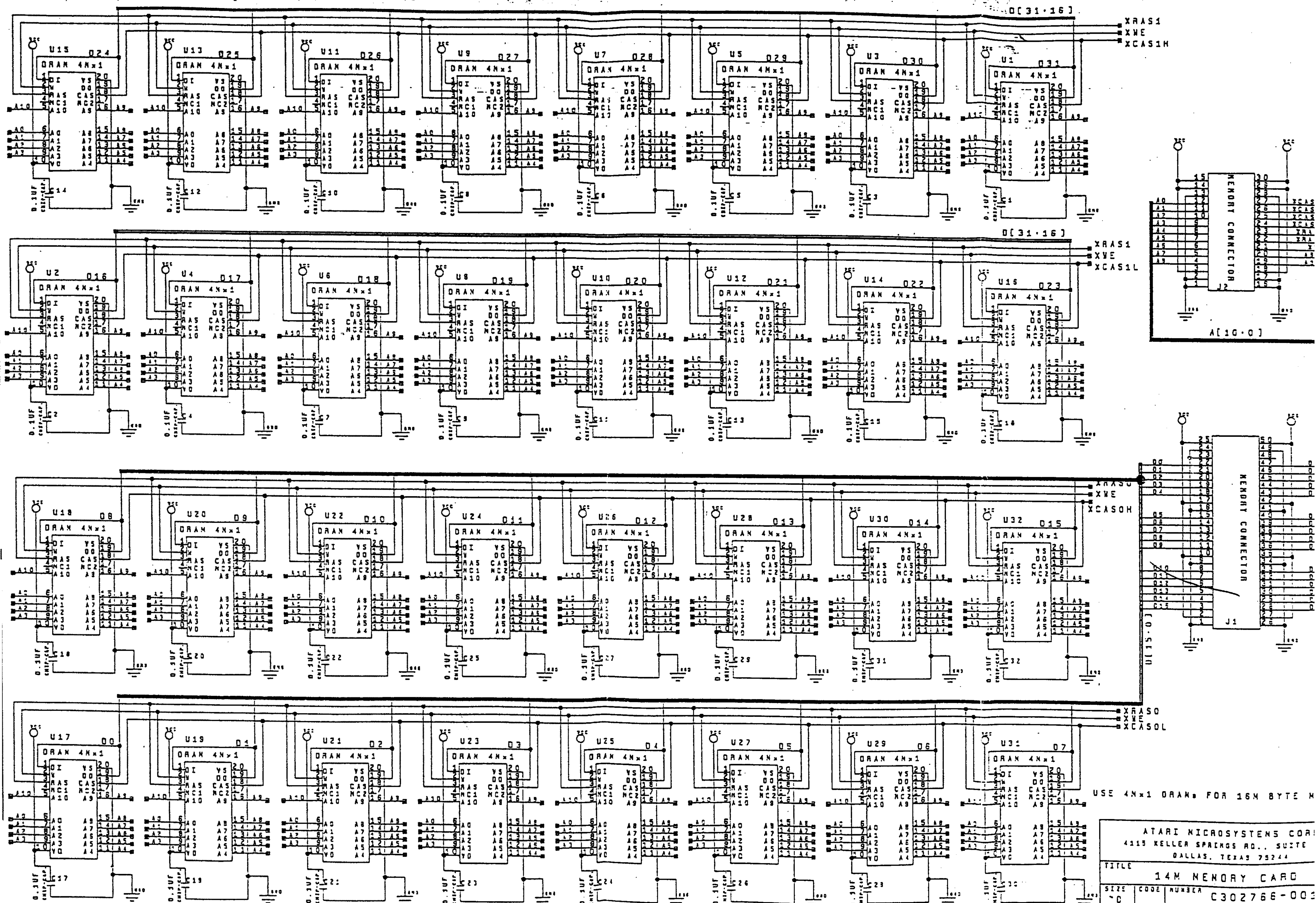


USE 1Mx4 DRAMs FOR 4M BYTE MEMORY. 32 BIT WIDE
 USE 256Kx4 DRAMs FOR 1M BYTE MEMORY. 32 BIT WIDE
 REMOVE U5,U6,U7,U8; USE 256Kx4 DRAMs FOR 512K (16 BIT WIDE) MEMORY
 (Default is 4M Bytes. 32 bit wide)

REV	REVISIONS DESCRIPTION	DATE	APP'D
2	PRELIMINARY RELEASE	6-26-92	J.S.

CA401292	17488 DRAM PCB	DATE
REV'T ASSEMBLY	ORIGINAL MODEL	
APPLICATION		

DRAWN BY	DATE	ATARI MICROSYSTEMS CO		
TRH	6/8/92	4115 KELLER SPRINGS RD., SUIT DALLAS, TEXAS 75244		
CHECKED	DATE	TITLE		
S. BARROWS	6-24-92	1M/4M MEMORY C/		
ENGINEER	DATE	SIZE	CODE	NUMBER
J. SMITH	6-25-92	D		C3027&2-01
APPROVED	DATE			
		SHEET		



ATARI MICROSYSTEMS CORP
 4315 KELLER SPRINGS RD., SUITE
 DALLAS, TEXAS 75244

TITLE
 14M MEMORY CARD

SIZE CODE NUMBER
 ~0 C302766-00

SHEET 2